

The servo drive for swing doors



Slimdrive SD Servo



Friedrichsbau, Stuttgart

Contents | **Page**

Slimdrive SD Servo **3**

Functions and adjustments **4**

Technical data **5**

Mounting **6**

Connection possibilities **7**





Slimdrive SD Servo

The swing door drive from the 7 cm class

It is just 7 cm high, and it makes life between the rooms so much easier: the GEZE Slimdrive SD Servo can do it all. The door "thinks" with you, reacting to movement or contact, opening and closing at an appropriate speed – with complete ease, and with all the safety required.

The Slimdrive SD Servo brings ease and simplicity in all places where people move about:

- ▶ Shops and department stores
- ▶ Airports and stations
- ▶ Schools and other public buildings
- ▶ Hotels and restaurants
- ▶ Hospitals, old people's homes, homes and workshops for the handicapped

And if there is an emergency, then the Slimdrive SD Servo shows just how reliable it really is – for fire and smoke doors*, too.

Slimdrive SD Servo stands for greatest ease. Just like the servo drive in a car, this aid to movement has made opening a door as easy as picking up a piece of paper.

So, if opening even the heaviest doors is child's play, it is got nothing to do with physical strength – it is all due to the Slimdrive SD Servo: it alone supplies all the power to stretch the springs and carry the weight of the whole door. Slimdrive SD Servo has this power constantly in reserve, but never wastes energy for a second. The drive only switches in when needed. If a movement sensor, placed closed to the door, registers a movement, or if a control contact signals that someone is touching the handle, the motor switches in, to power the hydraulic servo system. And this servo support stays running while the door closes.

For double-leaf doors (leaf width up to 2800 mm) GEZE offer the swing door drive system Slimdrive SD-IS Servo with integrated closer control.

There is no need for an external mechanical closer control, which gives the Slimdrive SD-IS Servo a perfect optical appearance.

* Please enquire about the current status of the test and approval procedure.



Slimdrive SD Servo



Slimdrive SD Servo

Functions and adjustments

Perfection of design as well. And because it can be supplied in a variety of colours, it will fit in very well with everything in the building. Slimdrive SD Servo comes in silver, dark bronze, white, RAL 9010 and RAL 9060, and in all other RAL colours by request.

Slimdrive SD Servo not only looks good, it is also informative. Thus on the control and closing mechanisms you will find clear symbols for adjusting all functions.

Slimdrive SD Servo is flexible enough for all uses: it will do its job in all dry rooms from - 15° C to + 50° C with absolute precision.

It is also suitable for fire and smoke doors*.

* Please enquire about the current status of the test and approval procedure.



Adjustable functions	
Closing force	EN size 2 - 6, infinitely
Closing force with door being closed	18 - 54 Nm
Latching action	from 10° to 0°
Closing speed	from 75° to 0°
Closing deceleration	within the entire opening range
Opening angle (servo opening support)	60° - 140° max. opening angle depending on door construction

Slimdrive SD Servo

Slimdrive SD Servo

Technical data

Mains supply	230 V AC 50 / 60 Hz
Power consumption	250 VA at 230 V AC
Supply terminals	ready to plug in (transom mounting) supply terminals (door leaf mounting)
Power failure	normal door closer function, hydraulically controlled
Integrated programme switch	position 1 = ON, position 0 = OFF
Motor follow-up time	adjustable from 3 sec. to 25 sec.
Actuation delay	adjustable from 0 sec. to 2 sec.
Power supply for external applications	24 V DC, 400 mA additional power pack to be built into add-on module: 24 V DC, 1,5 A
Dimensions	650 mm x 78 mm x 97 mm (length x height x depth)
Max. leaf width	1400 mm
Max. leaf weight	160 kg
Weight of the drive	approx. 8 kg

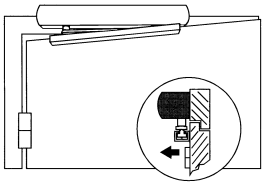


Technical data

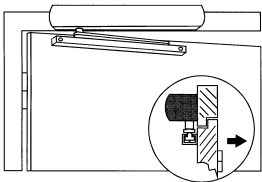
Whether head or door leaf, whether doors DIN right or DIN left, whether hinge or opposite hinge side – Slimdrive SD Servo always stays the same and remains flexible for each type of use. It is always mounted with a guide rail.

And if you have trusted in an overhead door closer up to now, the Slimdrive SD Servo is quickly installed.

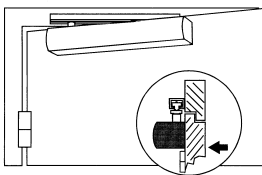
Basically it allows the following ways of mounting:



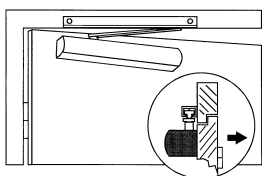
Transom mounting - hinge side	
Leaf width without mounted module	675 mm – 1400 mm
Leaf width incl. mounted module	780 mm – 1400 mm
Max. opening angle	up to 180°



Transom mounting - opposite hinge side	
Leaf width without mounted module	715 mm – 1400 mm
Leaf width incl. mounted module	820 mm – 1400 mm
Max. opening angle	up to 115°



Door leaf mounting - hinge side	
Leaf width as of centre of door hinge without mounted module	715 mm – 1400 mm
Leaf width as of centre of door hinge incl. mounted module	820 mm – 1400 mm
Max. opening angle	up to 160°



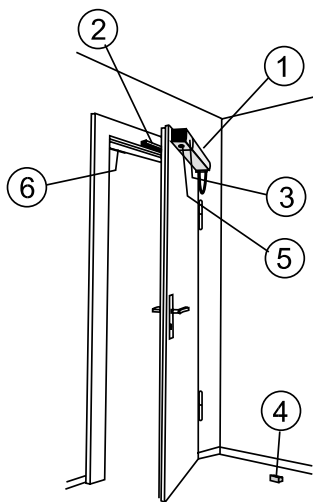
Door leaf mounting - opposite hinge side	
Clear passage height without mounted module	min. 715 mm
Clear passage height incl. mounted module	min. 820 mm
Max. leaf width	1400 mm
Max. opening angle	up to 140°

Connection possibilities

Slimdrive SD Servo can be connected and can be triggered with all common elements:

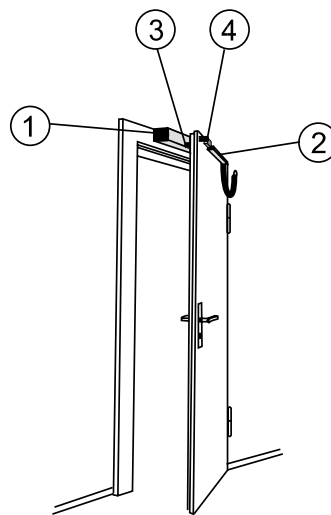
- ▶ Infrared movement detector (for concealed installation within the cover)
- ▶ HEWI door handle with electric contact
- ▶ Door opener:
24 V DC open-circuit current or close-circuit current as an option
24 V DC, AC supplied by customer
- ▶ Lock switch contact:
must be installed in strikeplate, if the door is closed manually
- ▶ External programme switch with 3 positions

Example for an actuation combination



Door leaf mounting on hinge side

- ① Slimdrive SD Servo
- ② Guide rail
- ③ SD add-on module (optional)
- ④ Door buffer
- ⑤ Active infrared movement detector in add-on module
- ⑥ Actuation sensor (mounting: frame, opposite hinge side)



Transom mounting on hinge side

- ① Slimdrive SD Servo
- ② Guide rail
- ③ Aktiv infrared movement detector (mounting: door leaf, opposite hinge side)
- ④ Aktiv infrared movement detector (mounting: door leaf, hinge side)

GEZE GmbH

P.O. Box 1363
71226 Leonberg
Germany

GEZE GmbH

Reinhold-Vöster-Straße 21-29
71229 Leonberg
Germany
Telefon +49 (0) 7152-203-0
Telefax +49 (0) 7152-203-310

GEZE Online:

www.geze.com

GEZE branch offices**Germany****GEZE GmbH**

Niederlassung Nord/Ost
Bühringstraße 8
13086 Berlin (Weissensee)
Tel. +49 (0) 30-47 89 90-0
Fax +49 (0) 30-47 89 90-17
E-mail: berlin.de@geze.com

GEZE GmbH

Niederlassung West
Nordsternstraße 65
45329 Essen
Tel. +49 (0) 201-83082-0
Fax +49 (0) 201-83082-20
E-mail: essen.de@geze.com

GEZE GmbH

Niederlassung Mitte
Adenauerallee 2
61440 Oberursel (b. Frankfurt)
Tel. +49 (0) 6171-63610-0
Fax +49 (0) 6171-63610-1
E-mail: frankfurt.de@geze.com

GEZE GmbH

Niederlassung Süd
Reinhold-Vöster-Straße 21-29
71229 Leonberg
Tel. +49 (0) 7152-203-594
Fax +49 (0) 7152-203-438
E-mail: leonberg.de@geze.com

GEZE subsidiaries**Germany****GEZE Sonderkonstruktionen GmbH**

Planken 1
97944 Boxberg-Schweigern
Tel. +49 (0) 7930-9294-0
Fax +49 (0) 7930-9294-10
E-mail: sk.de@geze.com

GEZE Service GmbH

Reinhold-Vöster-Straße 25
71229 Leonberg
Tel. +49 (0) 7152-9233-0
Fax +49 (0) 7152-9233-60
E-mail: info@geze-service.com

GEZE Service GmbH

Niederlassung Berlin
Bühringstraße 8
13086 Berlin (Weissensee)
Tel. +49 (0) 30-470217-30
Fax +49 (0) 30-470217-33

Asia**GEZE Asia Pacific Ltd.**

Unit 630, Level 6, Tower 2
Grand Central Plaza
138 Shatin Rural Committee Road
Shatin, New Territories
Hong Kong
Tel. +852 (0) 237-57382
Fax +852 (0) 237-57936
E-mail: geze@netvigator.com

GEZE Industries (Tianjin) Co., Ltd.

Shuangchenzhong Road
Beichen Economic Development
Area (BEDA)
Tianjin 300400, P.R. China
Tel. +86 (0) 22-26973995-0
Fax +86 (0) 22-26972702
E-mail: geze@public1.tpt.tj.cn

GEZE Industries (Tianjin) Co., Ltd.

Branch Office Shanghai
Room No. 2303,
Nan Zheng Building
580 Nanjing Road West
200041 Shanghai
P.R. China
Tel. +86 (0) 21-523409-60
Tel. +86 (0) 21-523409-61
Tel. +86 (0) 21-523409-62
Fax +86 (0) 21-523409-63
E-mail: geze@public2.sta.net.cn

GEZE Industries (Tianjin) Co., Ltd.

Branch Office Guangzhou
Room 1113, Jie Tai Plaza
218-222 Zhong Shan Liu Road
510180 Guangzhou
P.R. China
Tel. +86 (0) 20-813207-02
Fax +86 (0) 20-813207-05
E-mail: geze@public.guangzhou.gd.cn

GEZE Industries (Tianjin) Co., Ltd.

Branch Office Beijing
Room 606 Beijing East Ocean
Centre
No. 24A Jian Guo Men Wai Street
Chao Yang District
100022 Beijing
P.R. China
Tel. +86 (0) 10-651558-29
Tel. +86 (0) 10-651558-30
Fax +86 (0) 10-651558-31
E-mail: gezebj@163.com

Middle East**U.A.E.****GEZE Middle East**

P.O. Box 17903
Jebel Ali Free Zone
Dubai
Tel. +971 (0) 4-8833112
Fax +971 (0) 4-8833240
E-mail: geze@emirates.net.ae

Europa**Benelux****GEZE Benelux B.V.**

Leemkuil 1
Industrieterrein Kapelbeemd
5626 EA Eindhoven
Tel. +31 (0) 40-26290-80
Fax +31 (0) 40-26290-85
E-mail: benelux.nl@geze.com

France**GEZE France S.A.R.L.**

ZAC de l'Orme Rond
RN 19
77170 Servon
Tel. +33 (0) 1-60626070
Fax +33 (0) 1-60626071
E-mail: france.fr@geze.com

Great Britain**GEZE UK Ltd.**

Blenheim Way
Fradley Park
Lichfield
Staffordshire,
WS13 8SX
Tel. +44 (0) 1543-443000
Fax +44 (0) 01543-443001
E-mail: geze.uk@geze.com

Italy**GEZE Italia Srl**

Via Caduti di Sabbiuno, 2
40011 Anzola Emilia (BO)
Tel. +39 051-6501811
Fax +39 051-6501833
E-mail: italia.it@geze.com

GEZE Engineering Srl

Via Borromeo, 4
20017 Rho (Milano)
Tel. +39 02-93909559
Fax +39 02-93909332

GEZE Engineering Roma Srl

Via Lucrezia Romana 91
00178 Roma
Tel. +39 06-7265311
Fax +39 06-72653136
E-mail: gezeroma@libero.it

GEZE Engineering Bari Srl

Via Treviso 58
70022 Altamura (Bari)
Tel. +39 080-3115219
Fax +39 080-3164561
E-mail: gezebari@libero.it

Austria**GEZE Austria GmbH**

Mayrwiesstraße 12
5300 Hallwang b. Salzburg
Tel. +43 (0) 662-663142
Fax +43 (0) 662-663142-15
E-mail: austria.at@geze.com

Poland**GEZE Polska Sp. z o.o.**

ul. Annopol 3 (Zeran Park)
03-236 Warszawa
Tel. +48 (0) 22-8142211
Fax +48 (0) 22-6142540
E-mail: geze@geze.pl

Switzerland**GEZE Schweiz AG**

Bodenackerstrasse 79
4657 Dulliken
Tel. +41 (0) 62-285 54 00
Fax +41 (0) 62-285 54 01
E-mail: schweiz.ch@geze.com

Spain**GEZE Iberia S.R.L.**

C/ Diputación 188, D.128
08011 Barcelona
España
Tel. +34 902-194036
Fax +34 93-4515960
E-mail: iberia.es@geze.com

Scandinavia**Sweden****GEZE SCANDINAVIA AB**

Mallslingan 10
Box 7060
18711 Täby
Tel. +46 (0) 8-7323-400
Fax +46 (0) 8-7323-499
E-mail: sverige.se@geze.com

Norway**GEZE Scandinavia AB avd. Norge**

Postboks 63
2081 Eidsvoll
Tel. +47 (0) 639-57200
Fax +47 (0) 639-57173
E-mail: norge.se@geze.com

Finland**GEZE Finland**

Branch office of **GEZE Scandinavia AB**
Postbox 20
158 71 Hollola
Tel. +358 (0) 10-400 51 00
Fax +358 (0) 10-400 51 20
E-mail: finland.se@geze.com

