



GEZE RS 5

# RS 5

## Smoke switch, Certification No. Z-6.5-1508



The **GEZE RS 5** smoke switch is a smoke detector for the early detection of fire. When smoke is detected (optical scattered light principle), the switch interrupts the power supply for the door hold-open.

24 V voltage supply cable either flush or surface mounted. Surface mounting in the permitted installation area only, see the stipulations concerning hold-open systems used in preventive fire protection.

The **RS 5** can be used for both door closers and magnetic clamps. It is possible to connect additional smoke switches.

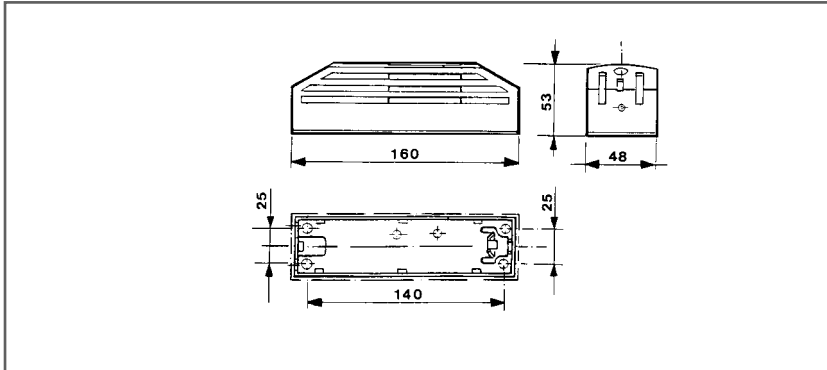


Fig. 24

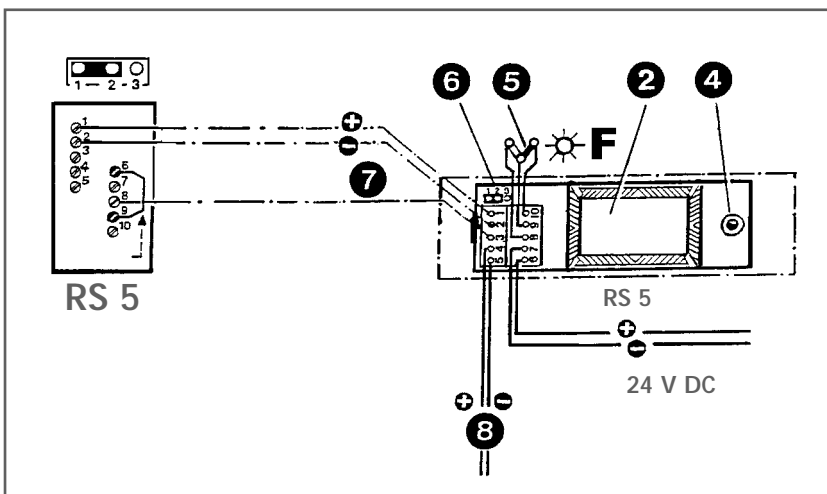


Fig. 25

### Electrical data

- ② Smoke detection unit
- ④ Alarm display, LED red
- ⑤ Potential-free contact to external smoke detection display; max. 30 V DC/1 A/30 W
- ⑥ Plug-in jumper
- ⑦ Connection of additional smoke switches (max. 2 units), **GEZE RS 5**

- ⑧ Connection for door closers and magnets