

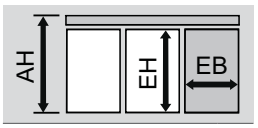
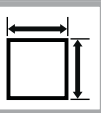
## MSW

Schiebeelemente,  
Dreh-/ Pendeltüren,  
Anschlagtüren,  
Festfelder

Sliding elements,  
Swing-/Double action doors,  
Single action doors,  
Fixed panels



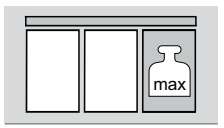
138026-04



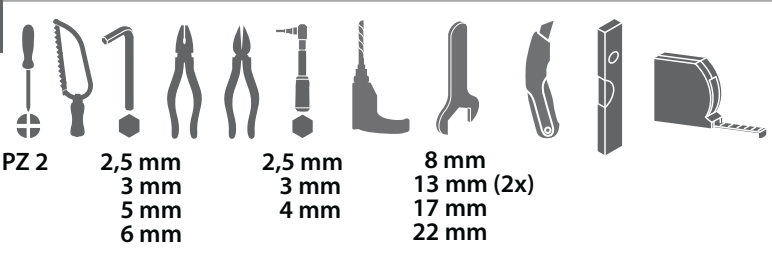
$2120 \leq AH < 4120$

$2000 \leq EH < 4000$

$700 \leq EB < 1500$



**150 kg**

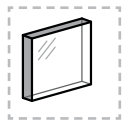


PZ 2

2,5 mm  
3 mm  
5 mm  
6 mm

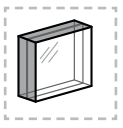
2,5 mm  
3 mm  
4 mm

8 mm  
13 mm (2x)  
17 mm  
22 mm



=

**ESG/TSG**  
EN 12150



=

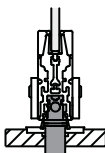
**VSG/LSG**  
EN 12543  
2x ESG/TSG

**i**



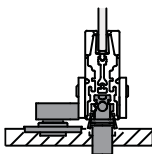
**i+**

**A**



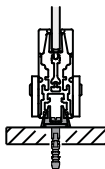
**i+**

**B**



**i+**

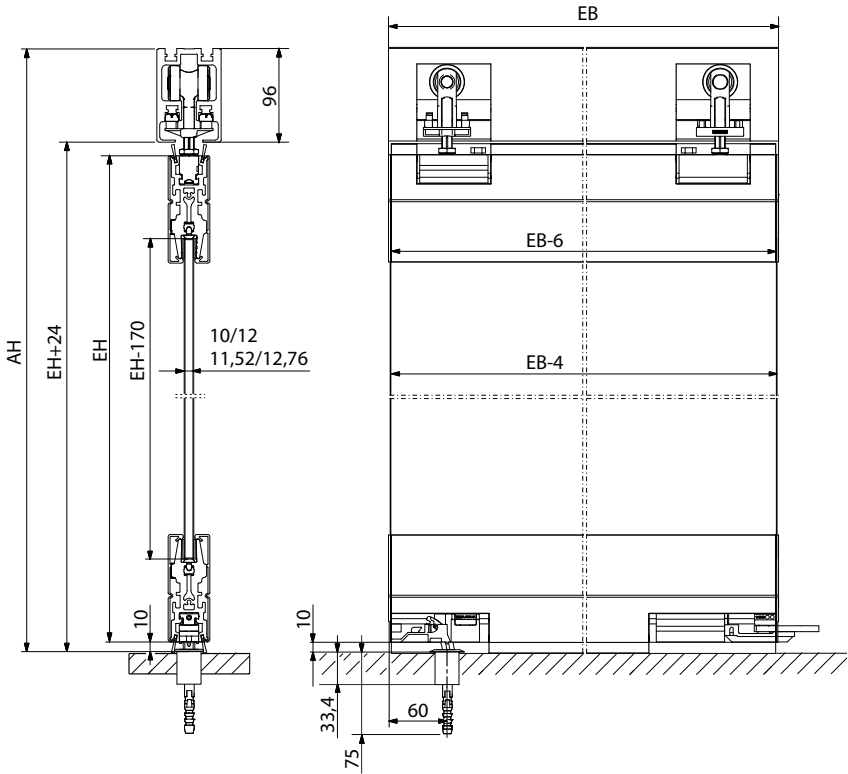
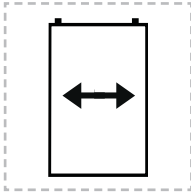
**C**



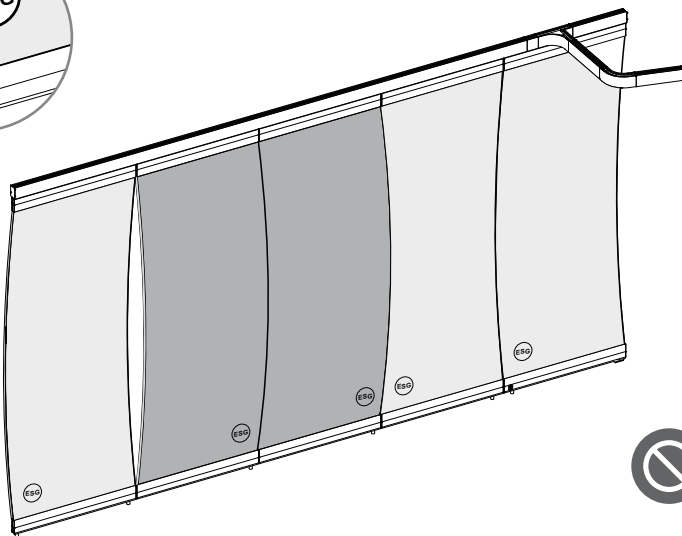
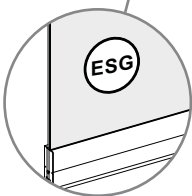
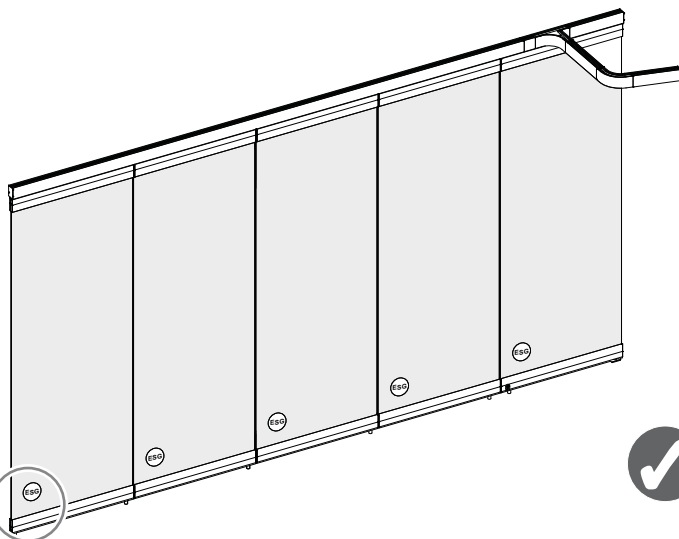
**i+**

**D**





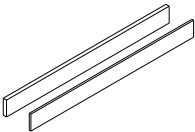
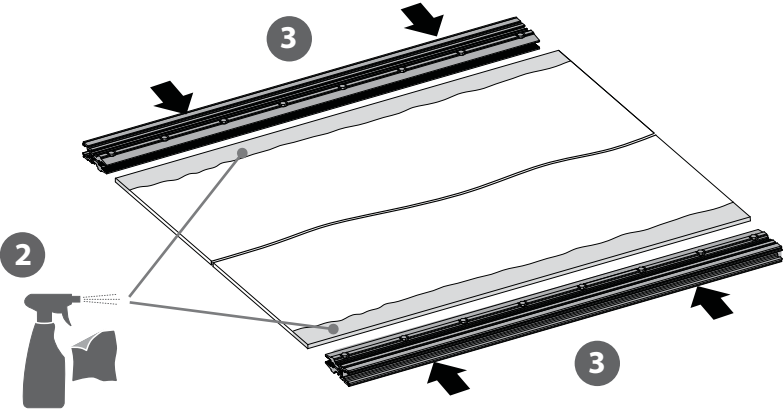
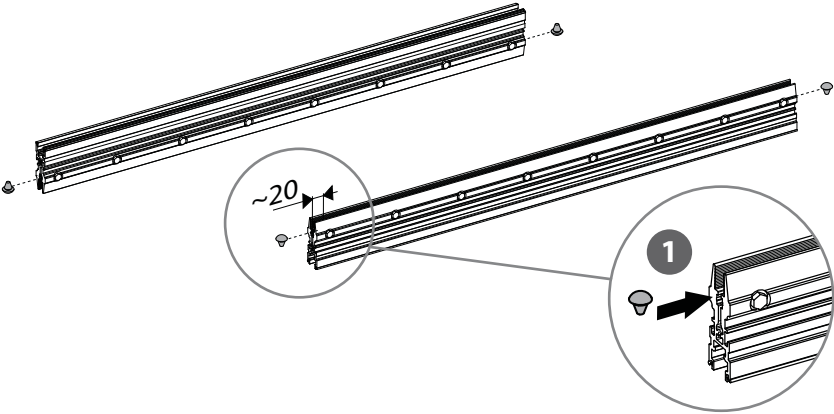
**i**



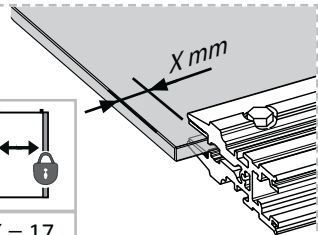
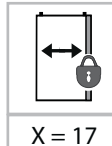
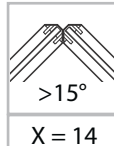
1

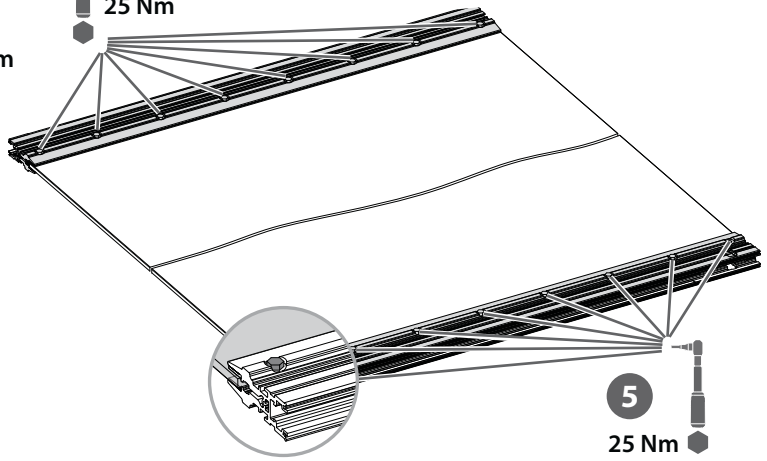
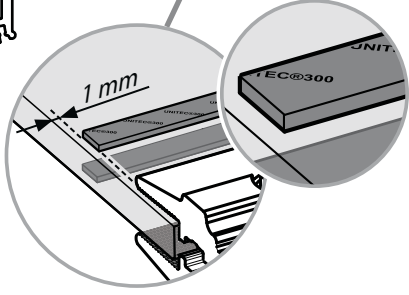
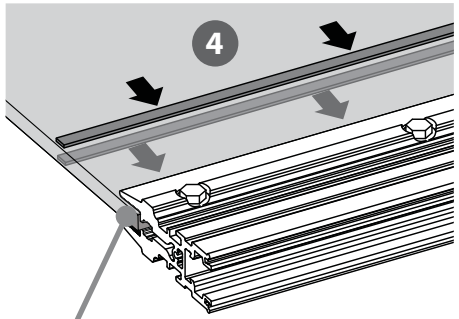
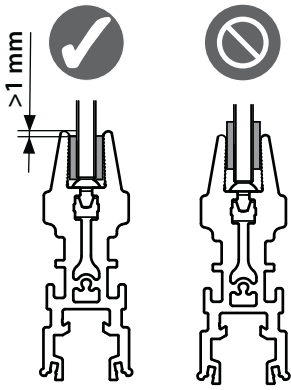


ID 138028

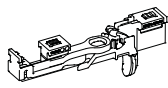


2x2 mm    2x1 mm  
ESG 10 mm    ESG 12 mm

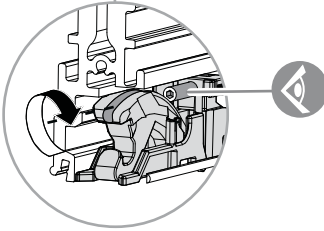
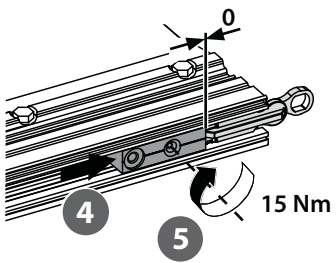
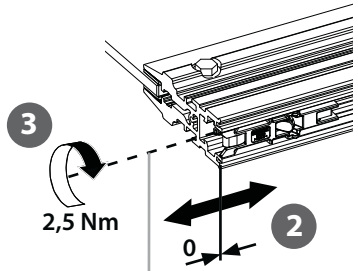
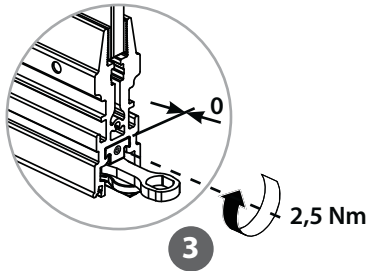
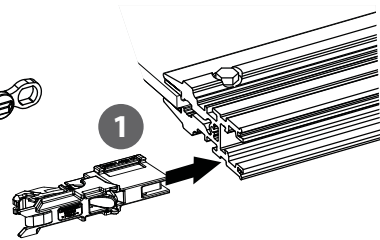
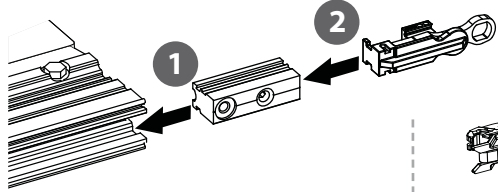
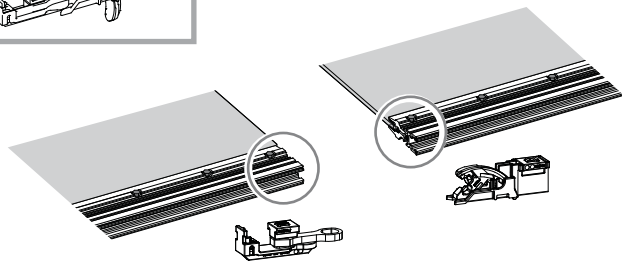




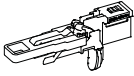
2



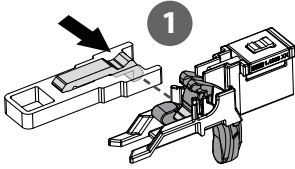
2,5 mm  
5 mm



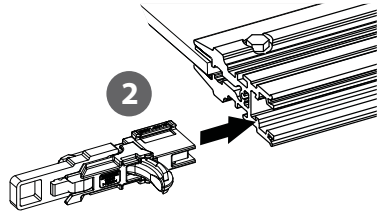




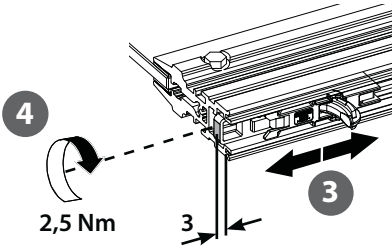
2,5 mm



1



2

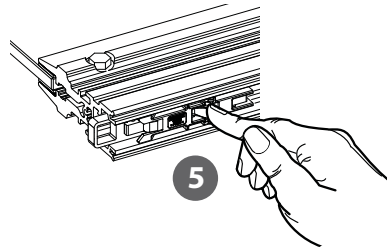


4

2,5 Nm

3

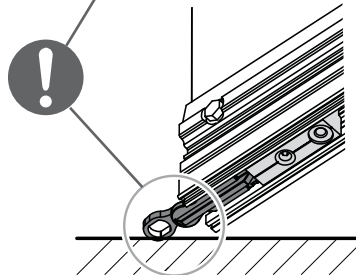
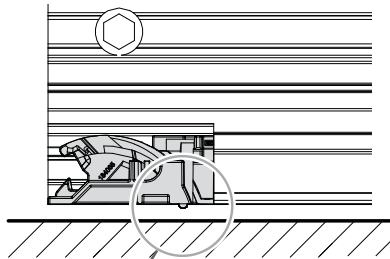
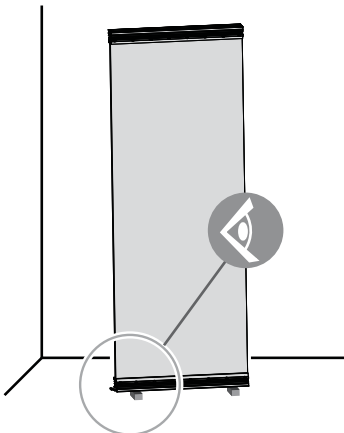
3

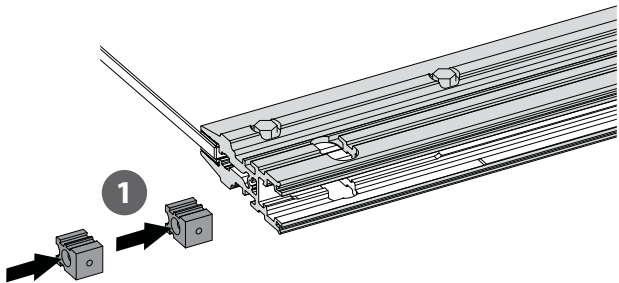
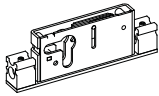


5

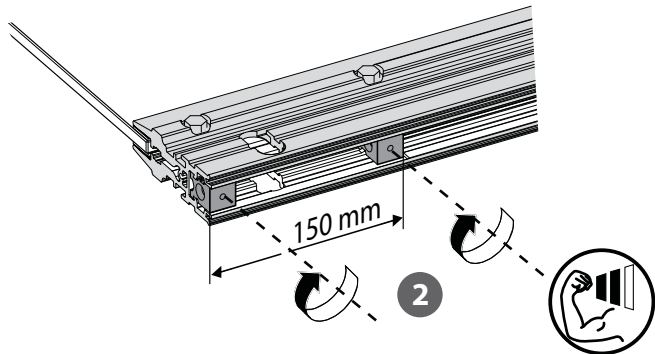


i+ 5

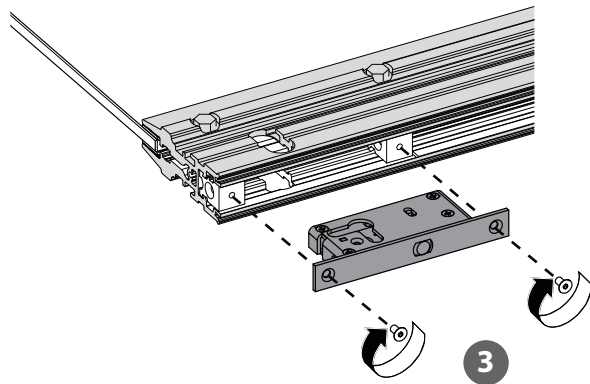


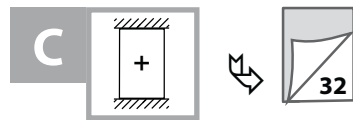
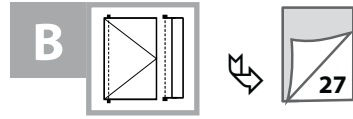
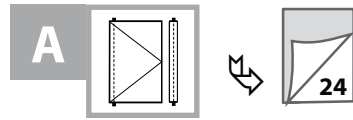
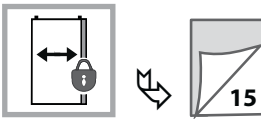
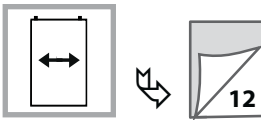
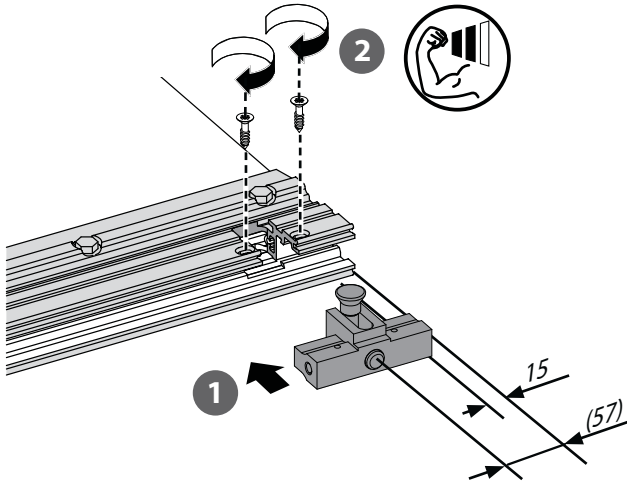
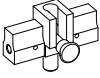


  
2,5 mm



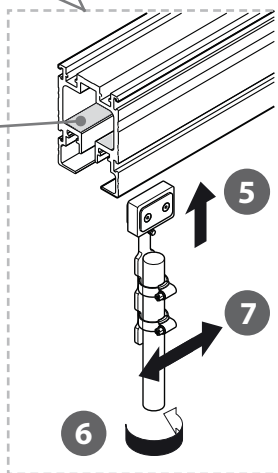
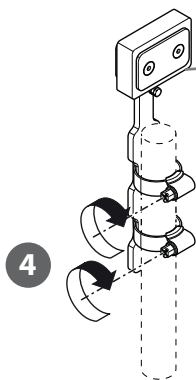
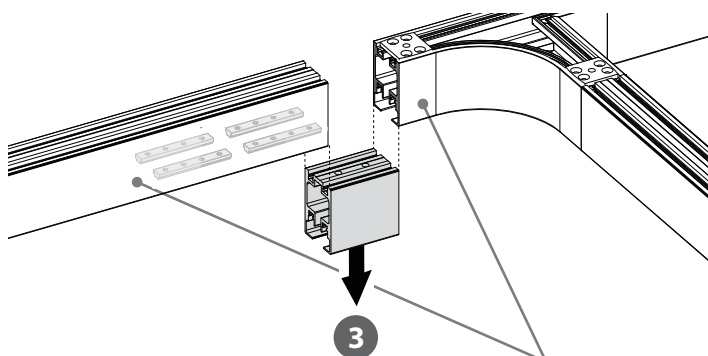
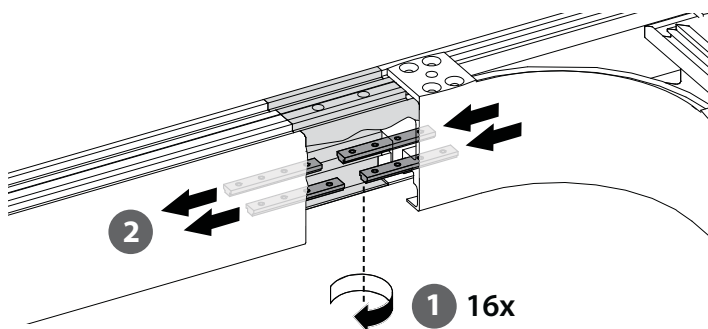
  
3 mm





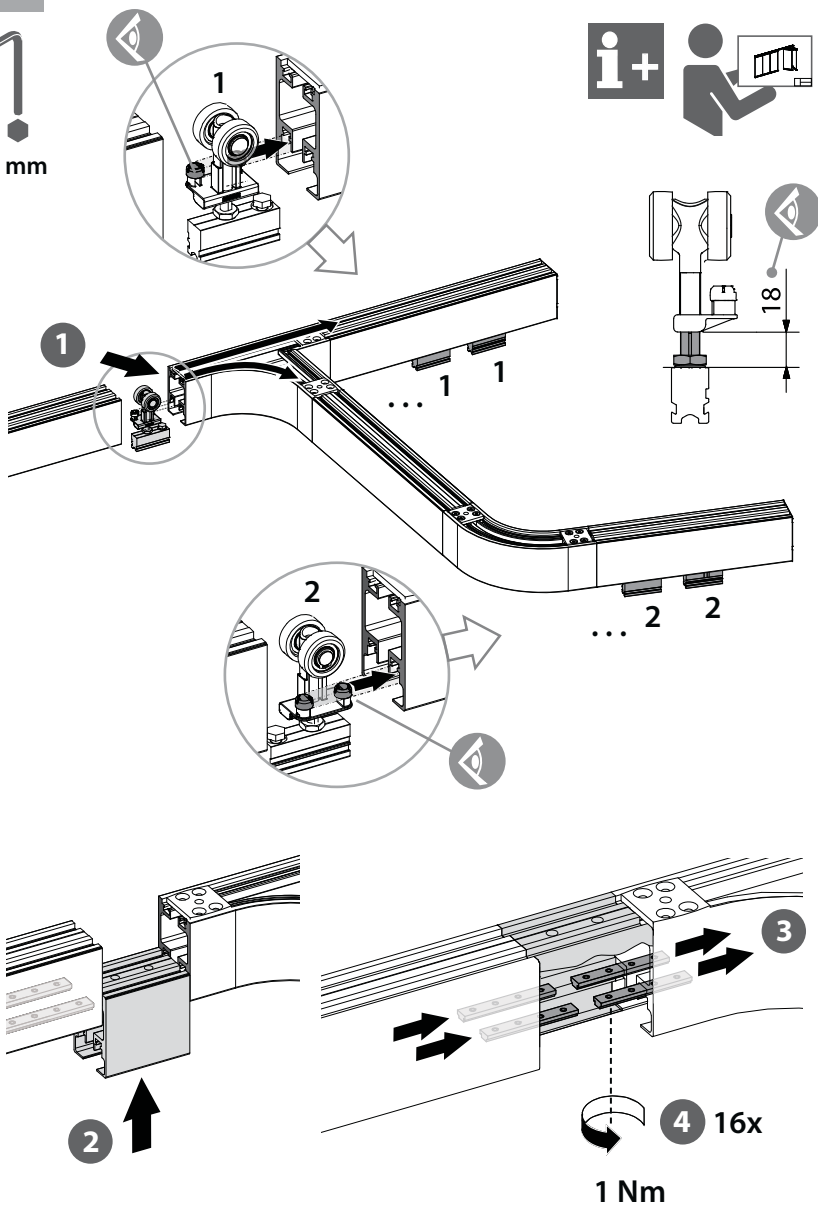
3

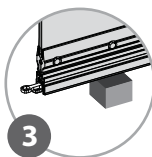
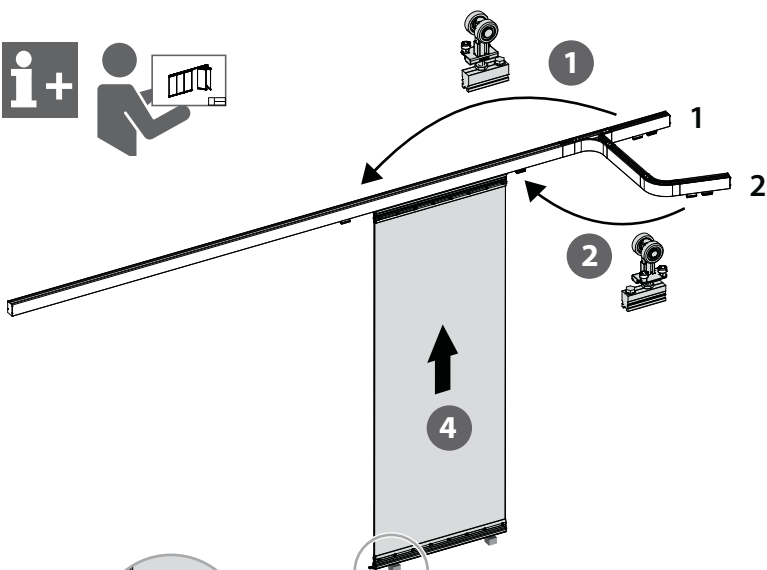
3 mm



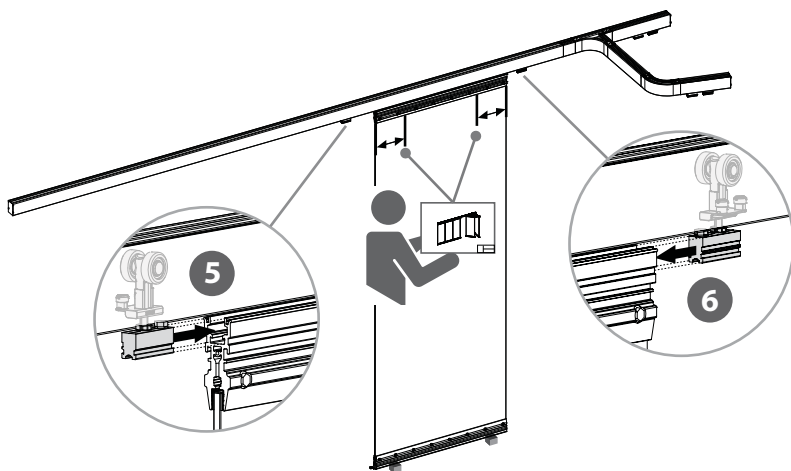
4

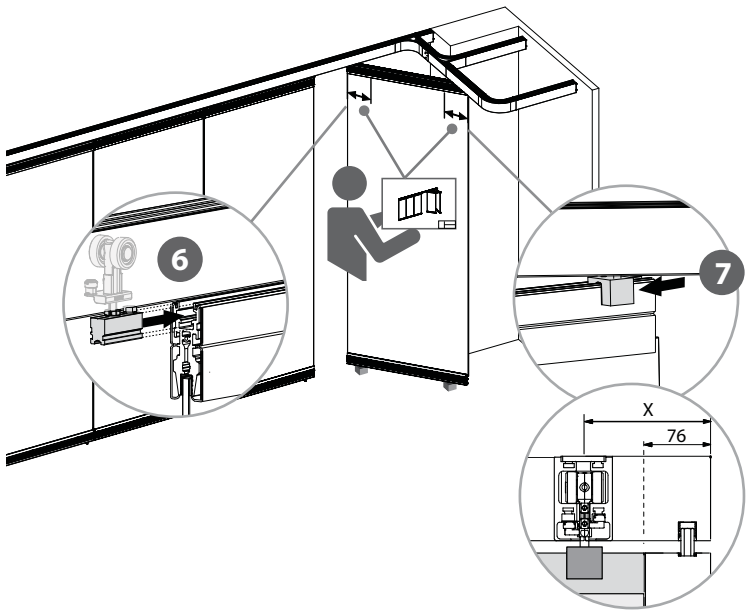
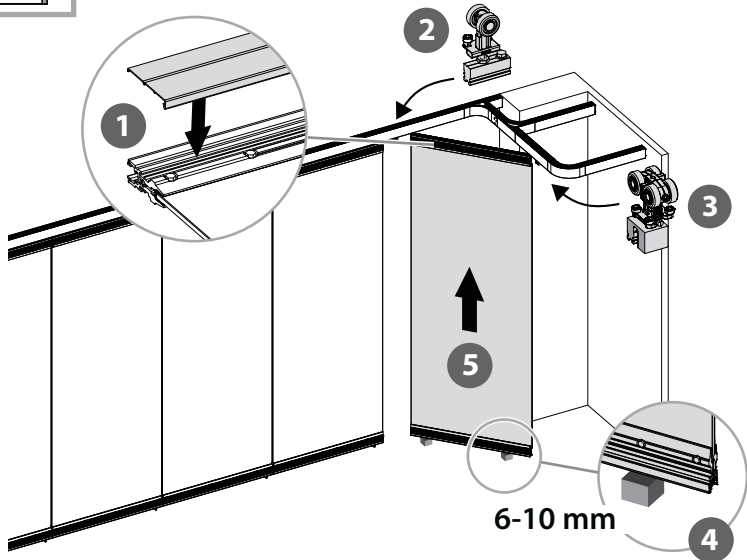
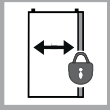
3 mm

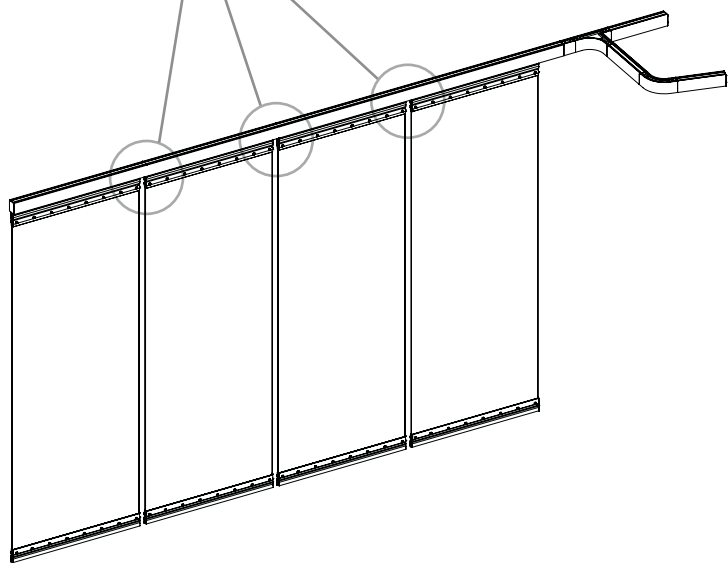
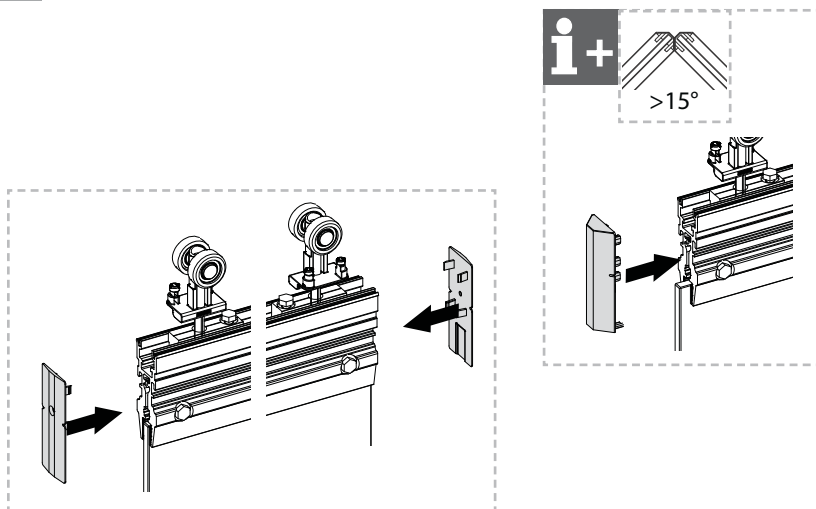




6 - 10 mm





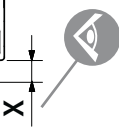
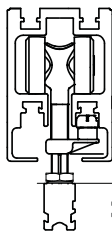
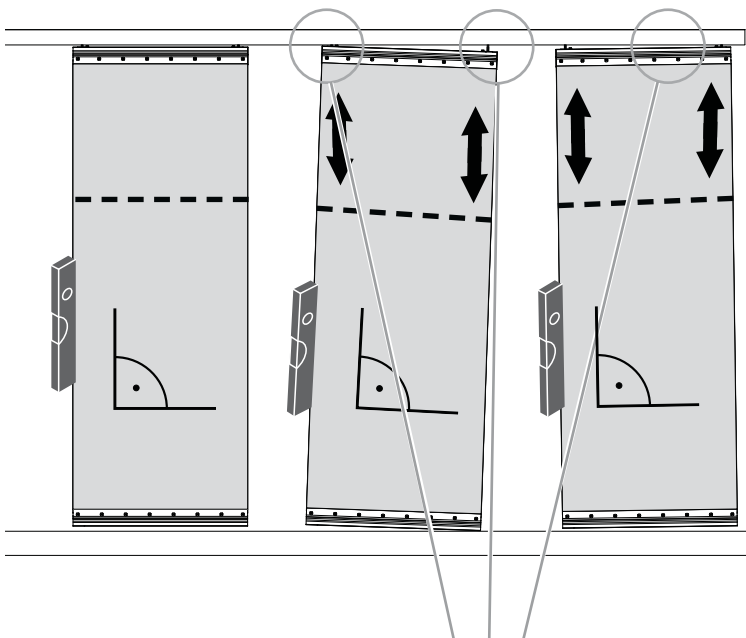




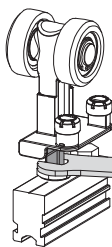
7



8 mm  
17 mm



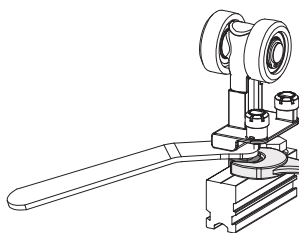
$X = 14 \text{ mm (+4/-7)}$



1

+4 mm

-7 mm



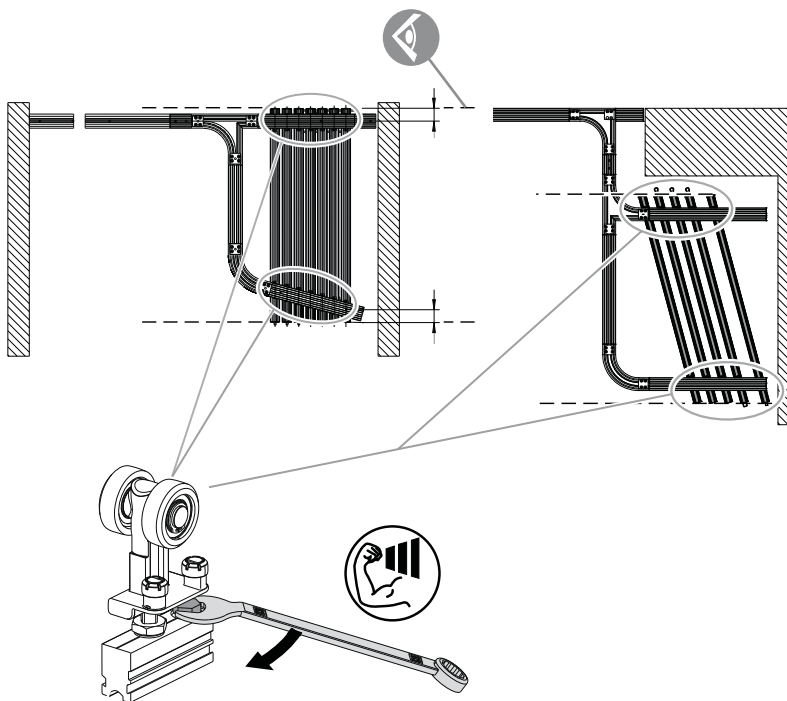
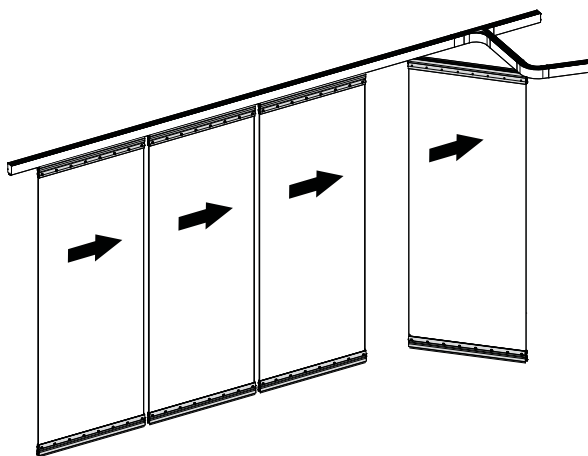
2



8



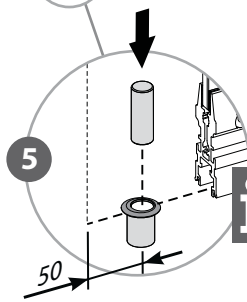
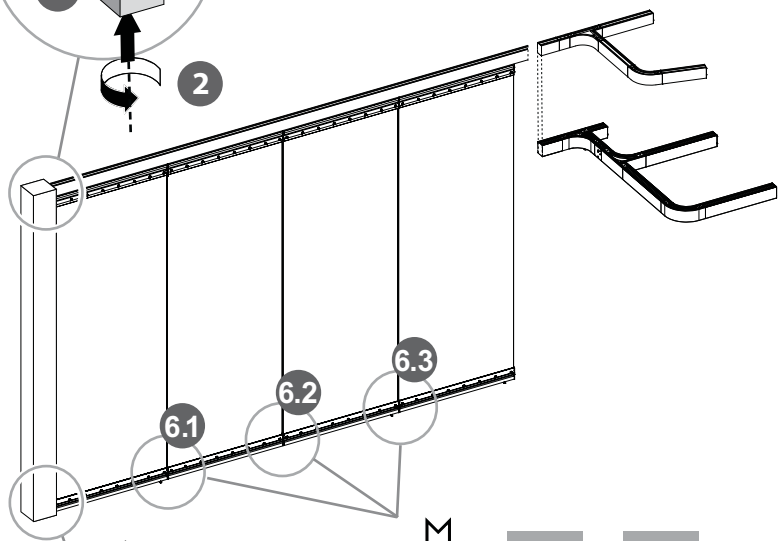
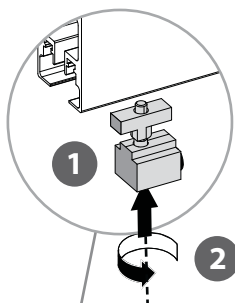
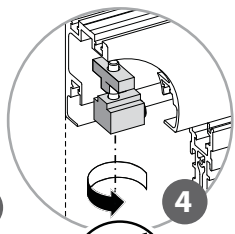
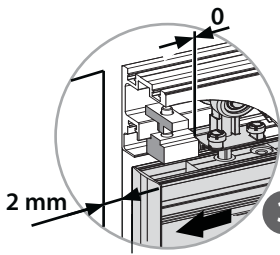
13 mm



# 9



6 mm

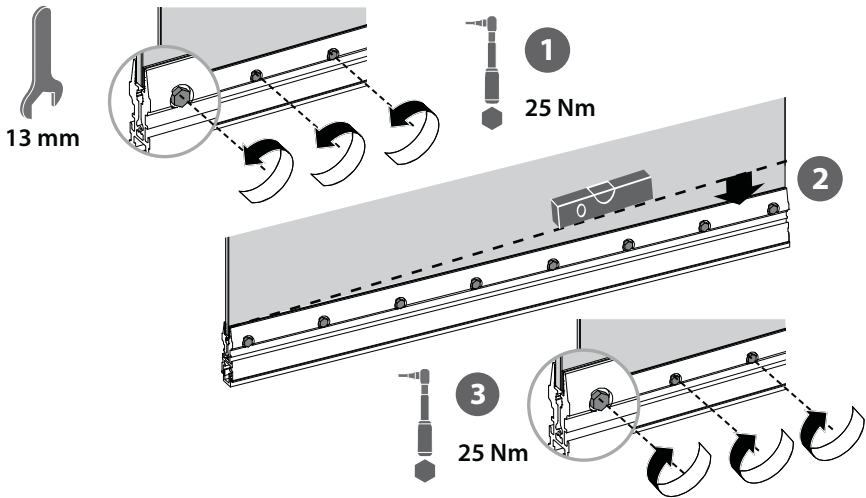
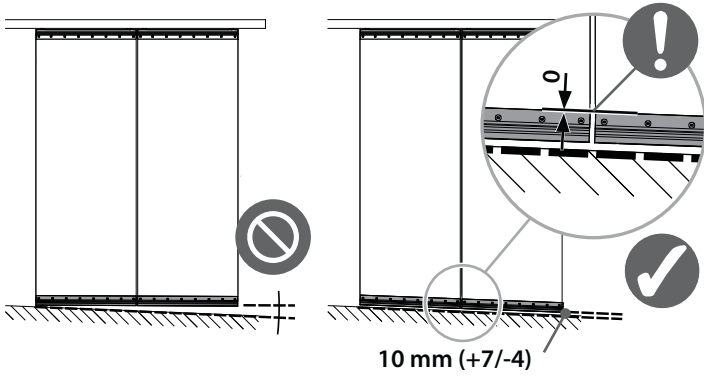


10 + 11

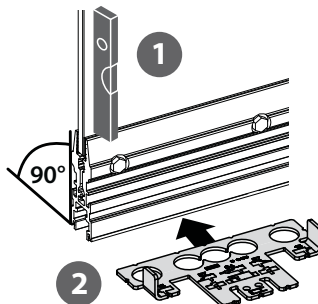


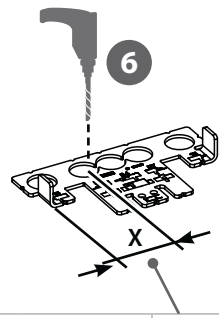
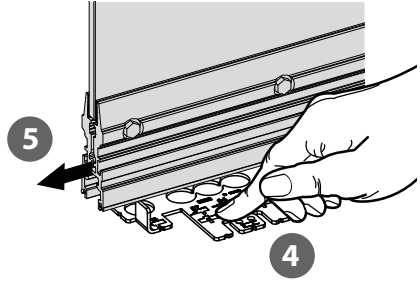
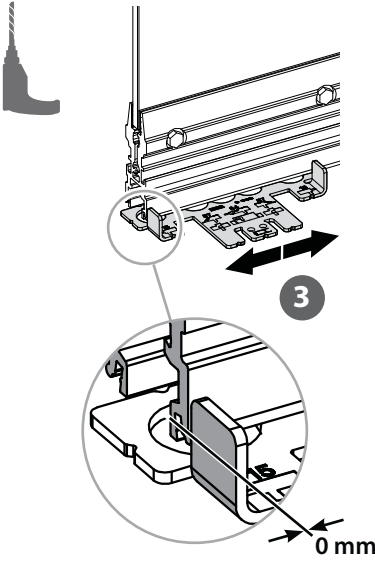
ID 184025

10



11

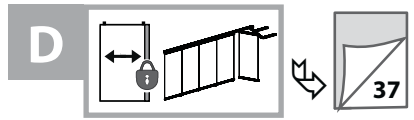
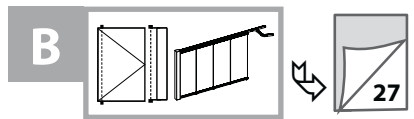
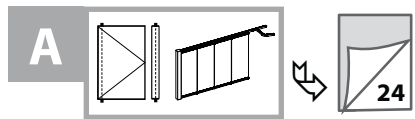


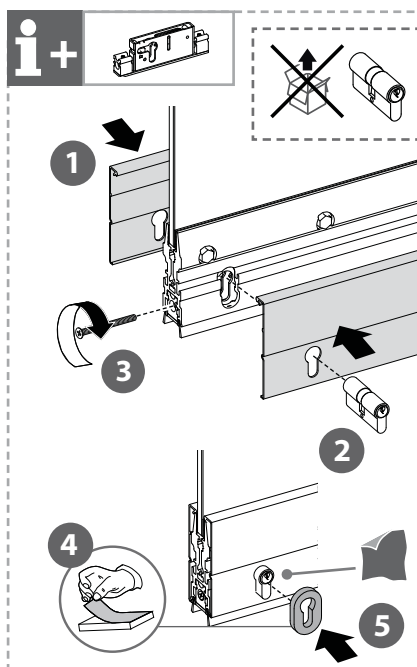
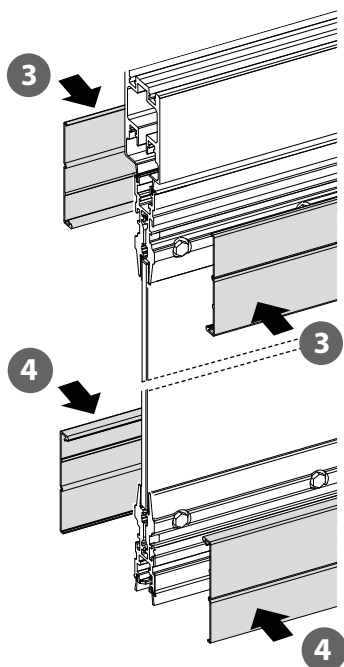
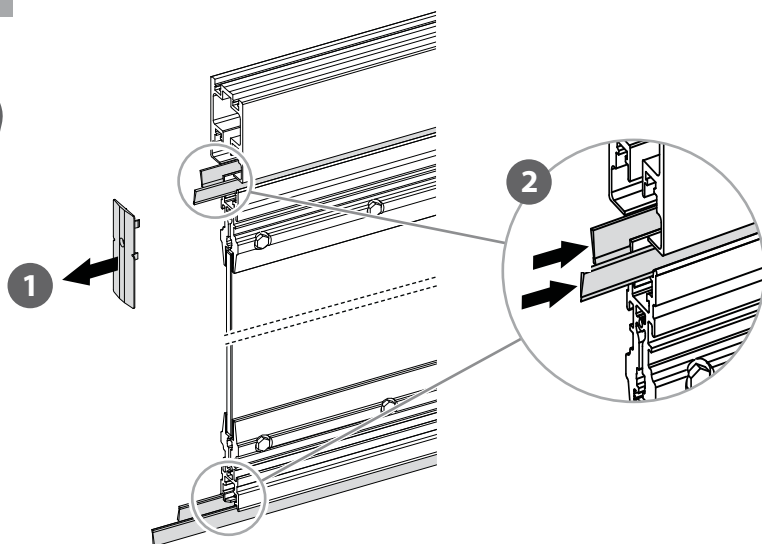


<p><b>i+</b></p> <p>ID 184025</p>			<p>X = 57</p>
			<p>X = 84</p>

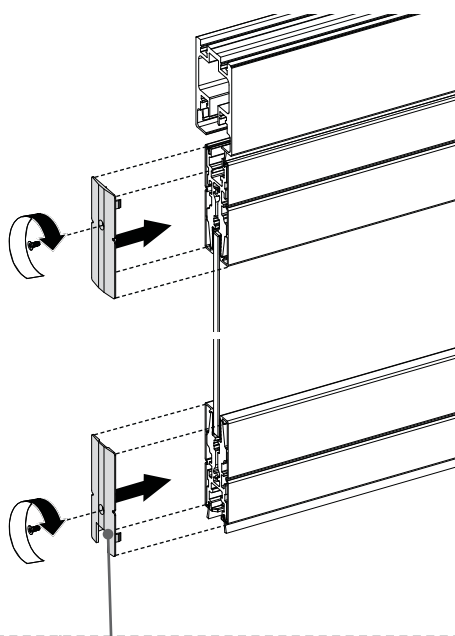
180°

Ø 13 mm





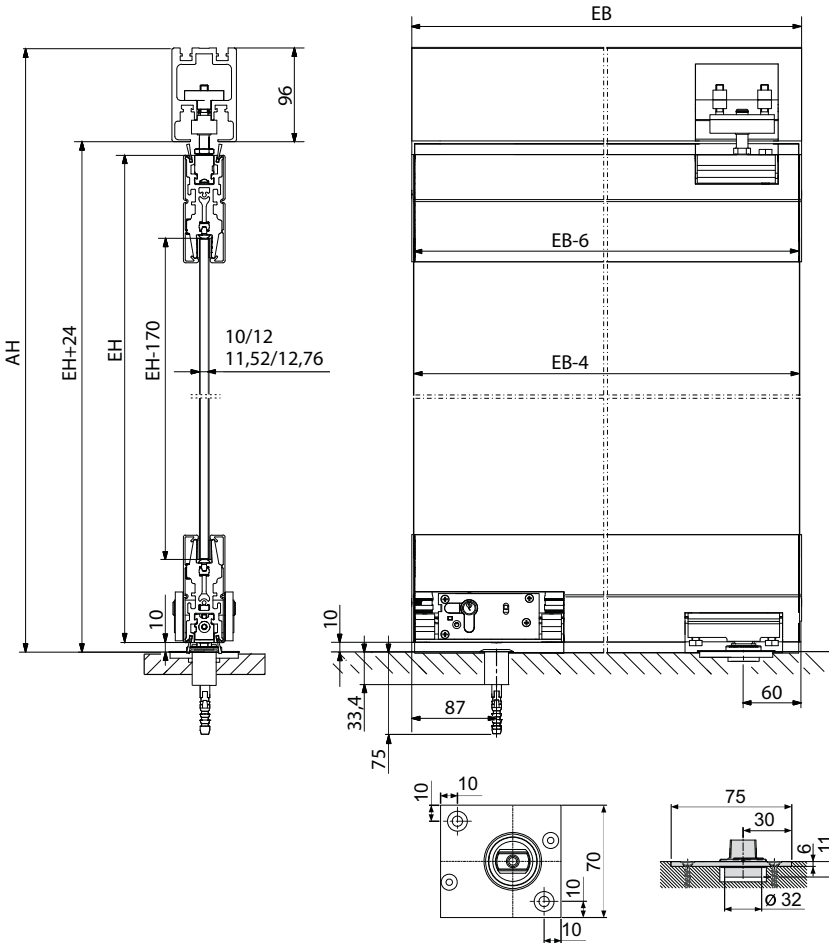
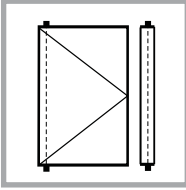
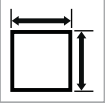
13



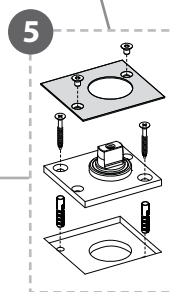
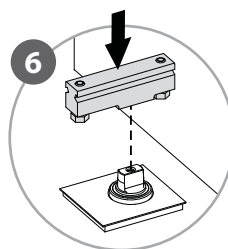
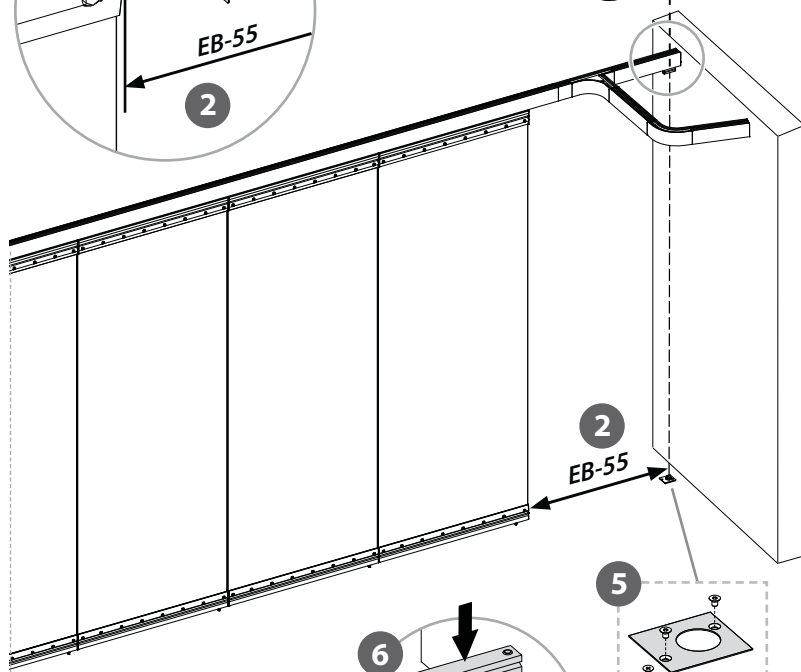
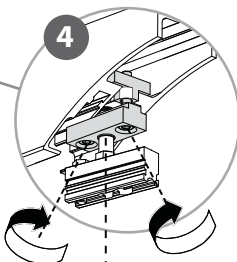
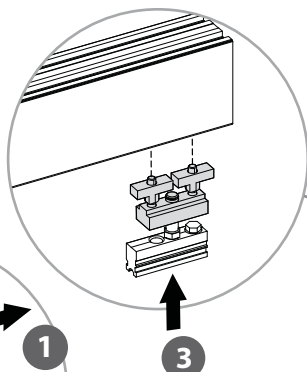
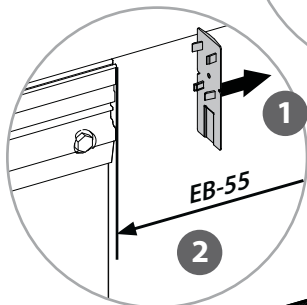
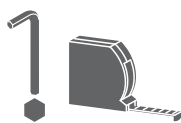
<b>i</b>				

i+

A

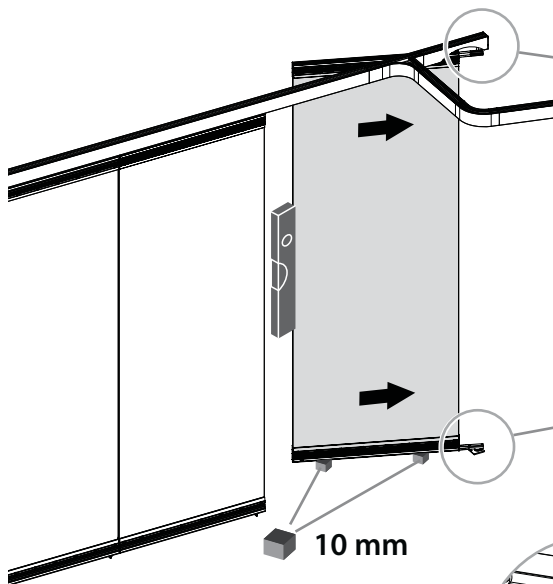
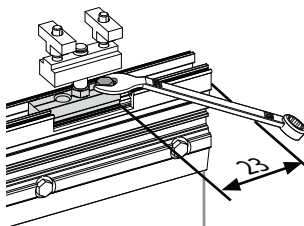




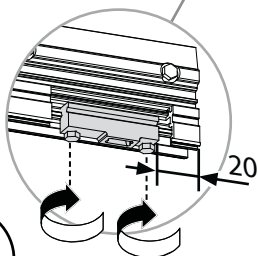
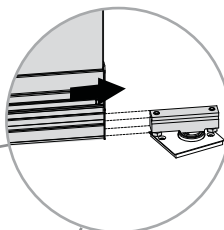
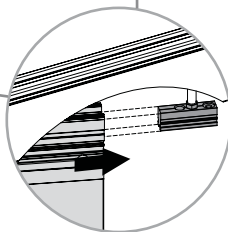




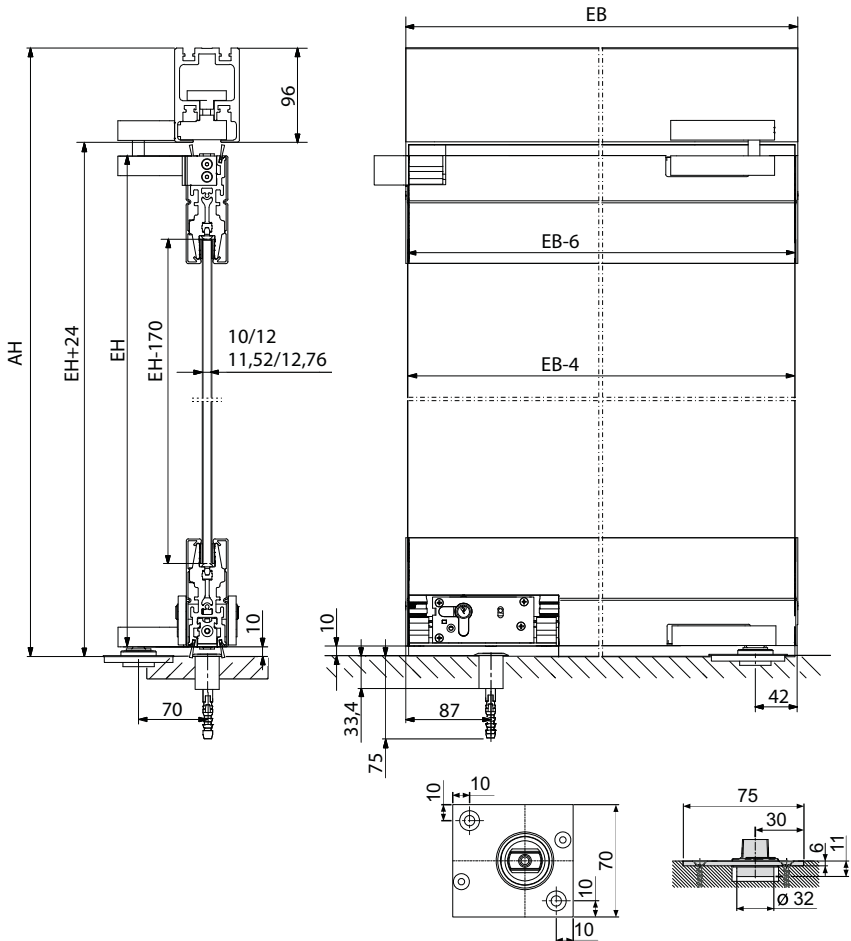
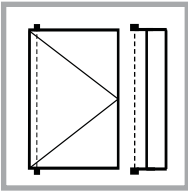
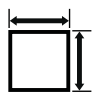
13 mm

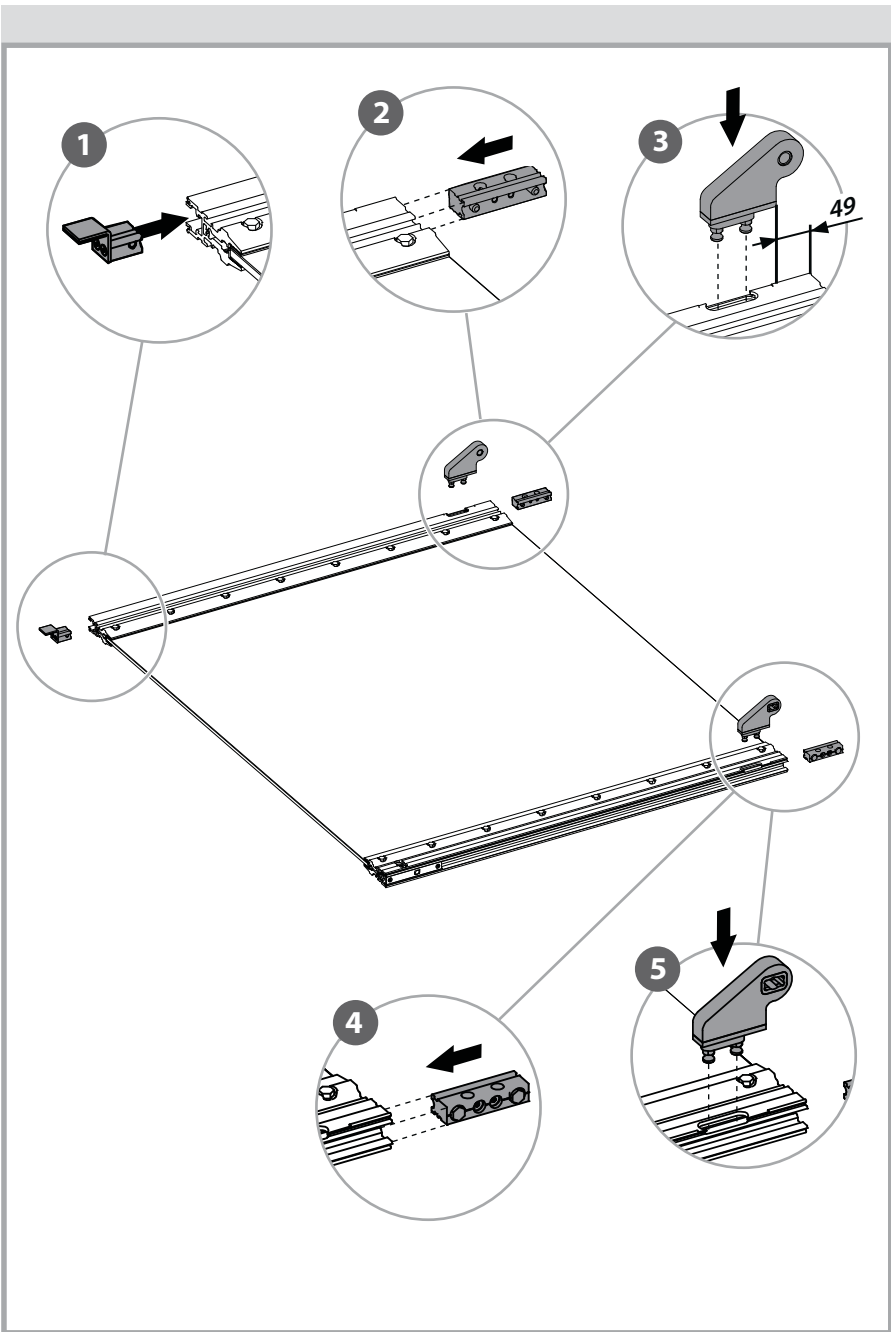


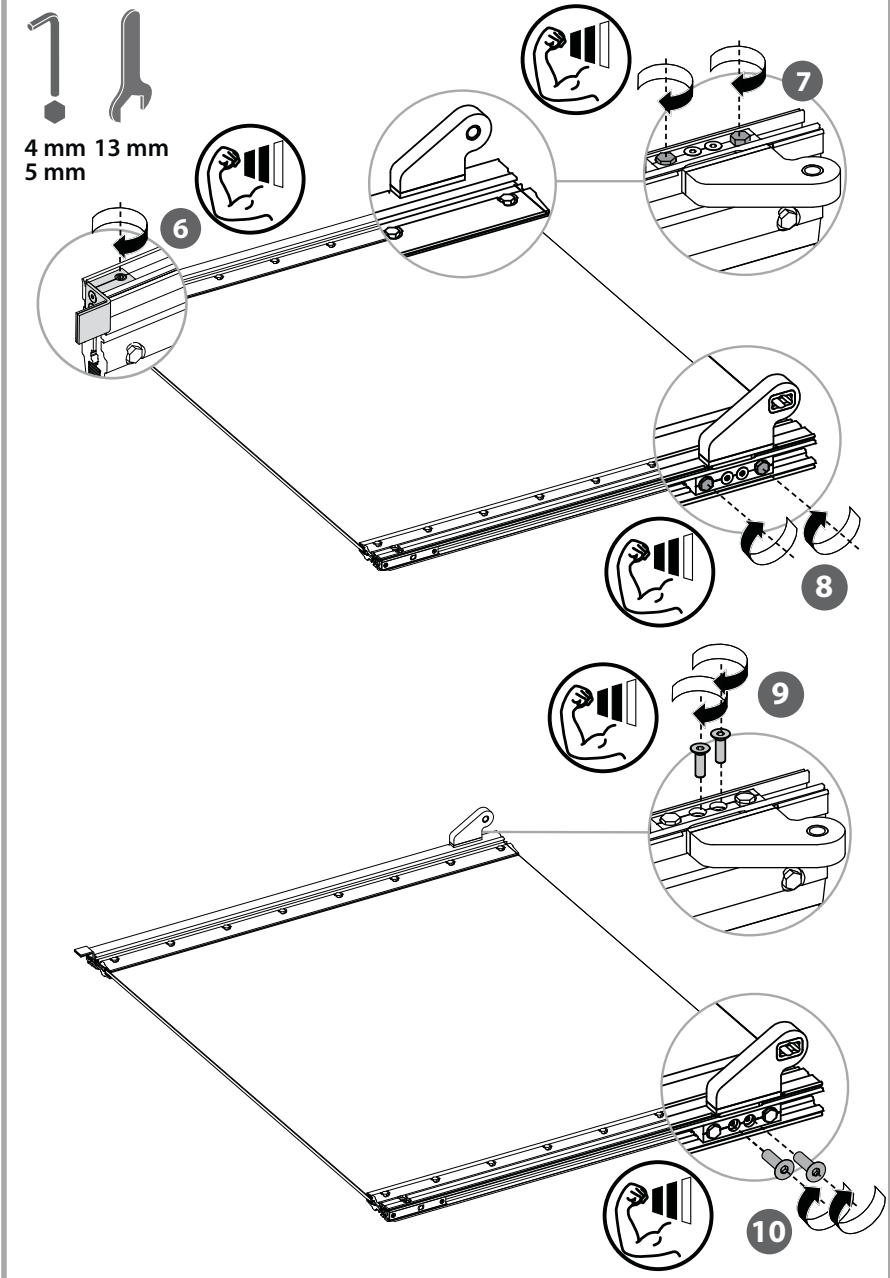
10 mm

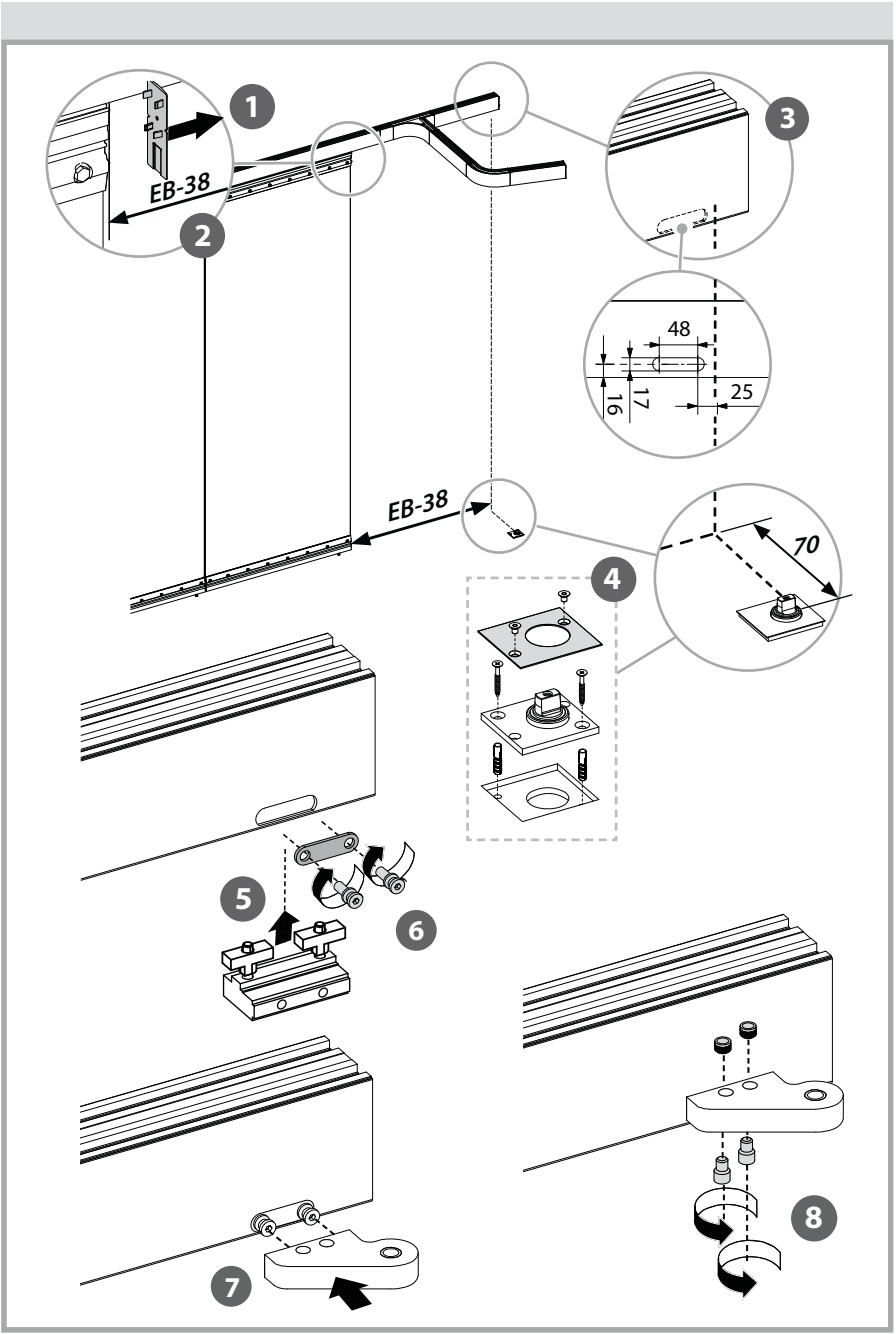


12

**i+****B**

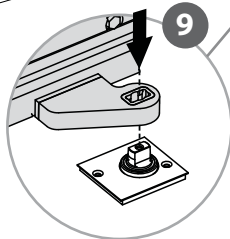
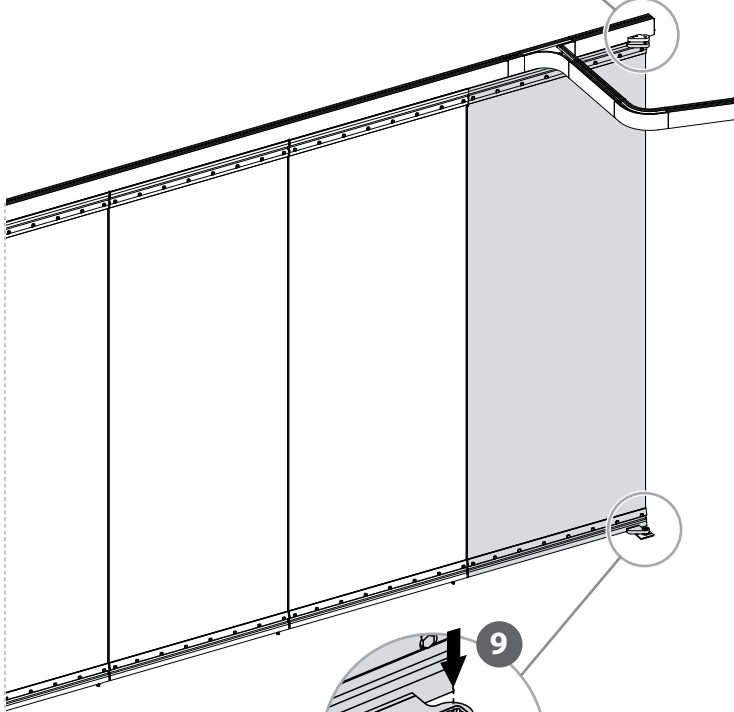
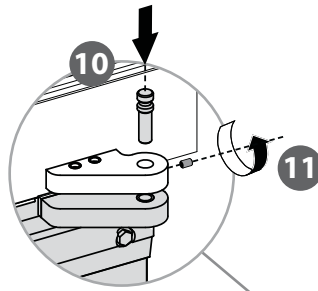








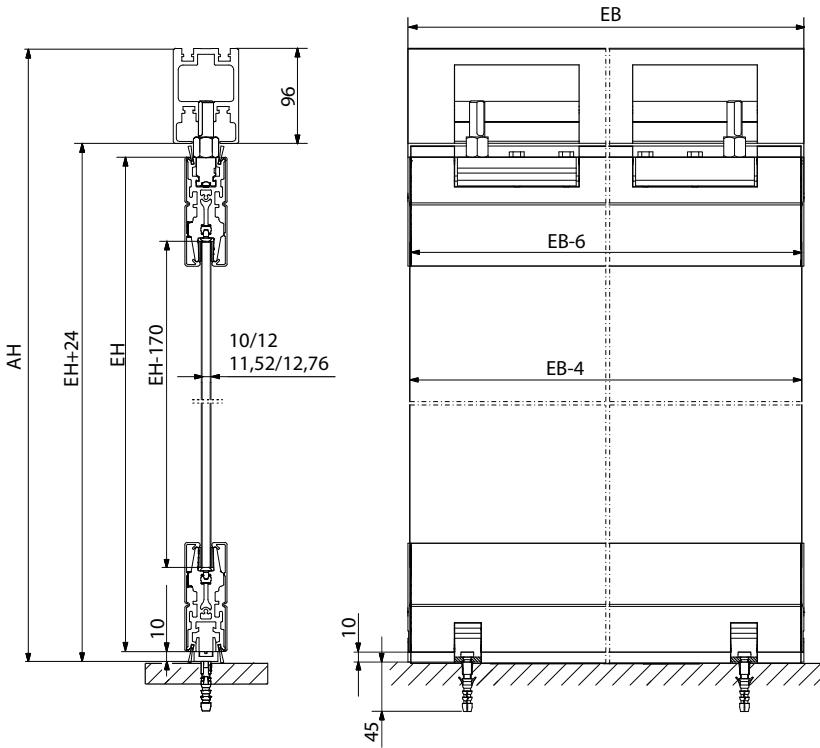
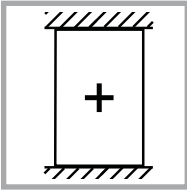
3 mm



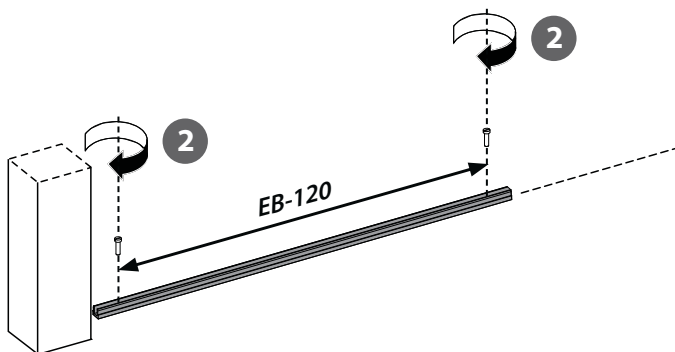
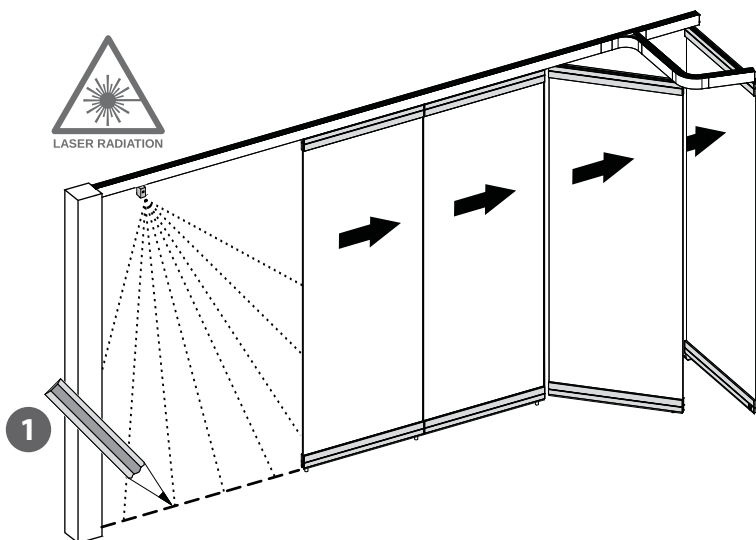
12

i+

C

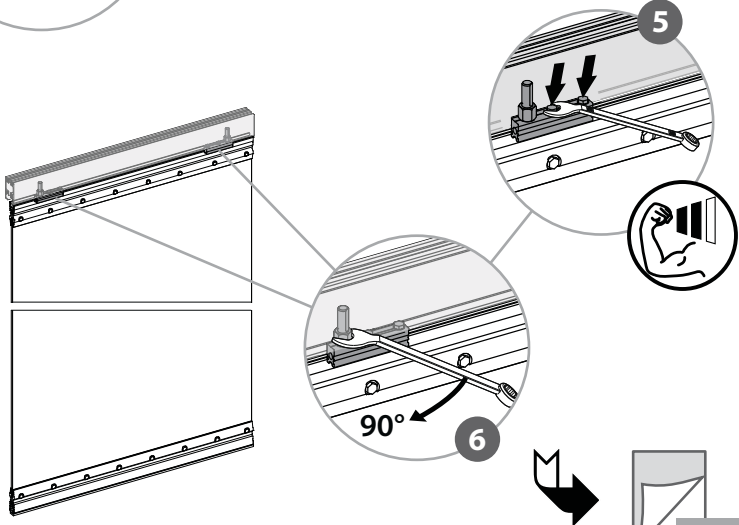
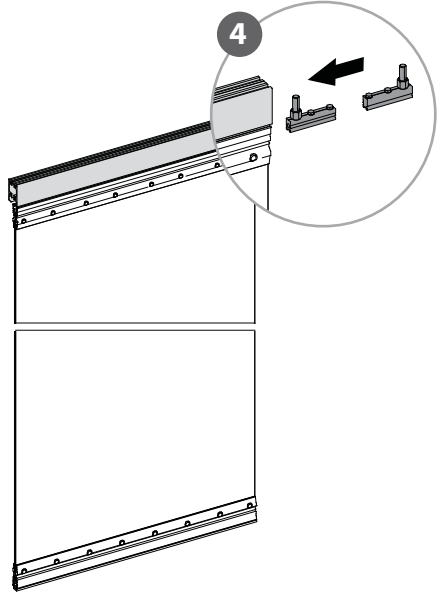
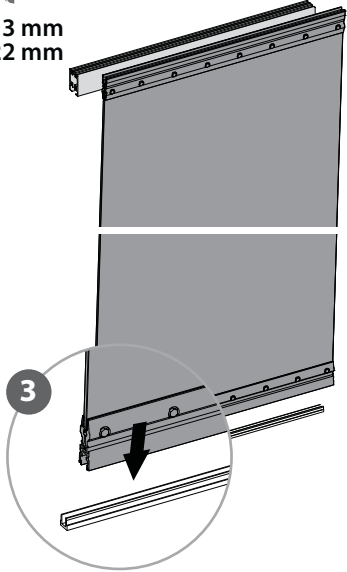




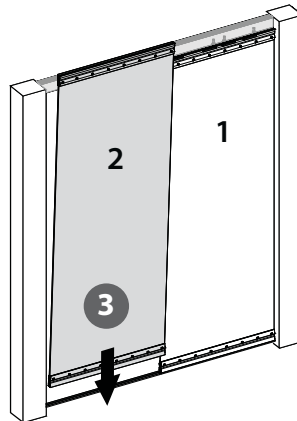
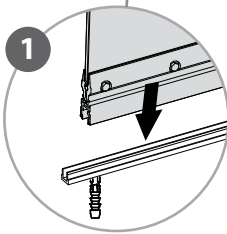
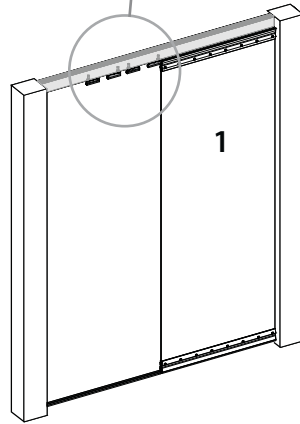
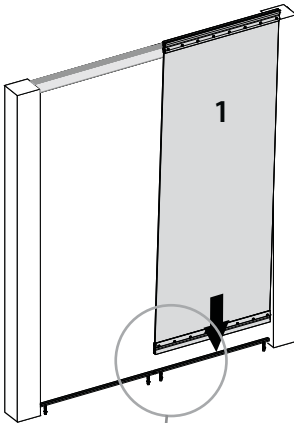
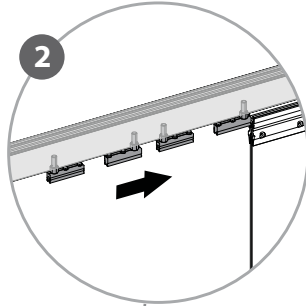
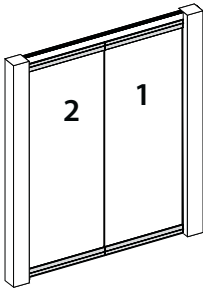


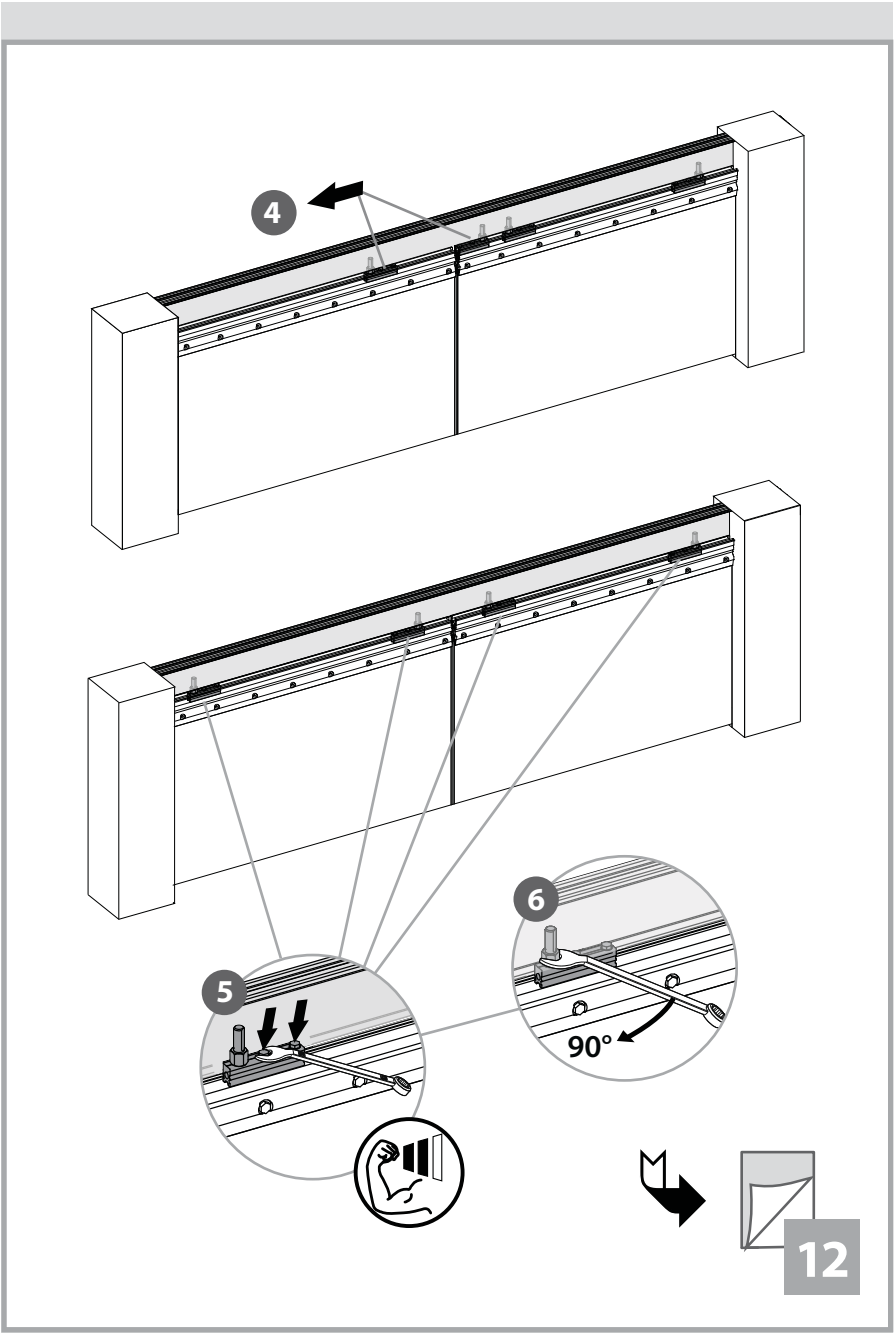


13 mm  
22 mm



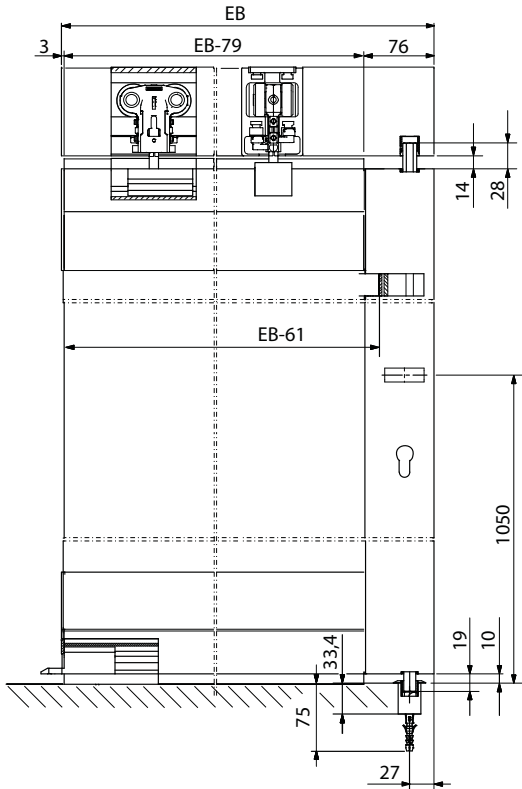
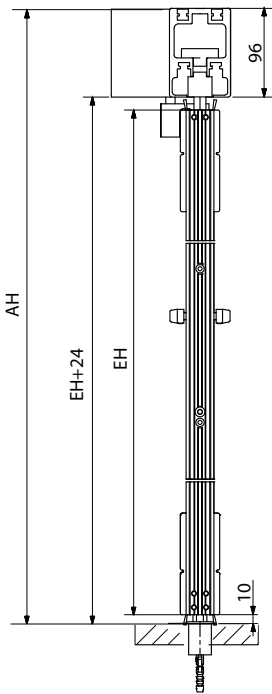
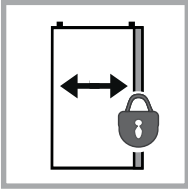
12



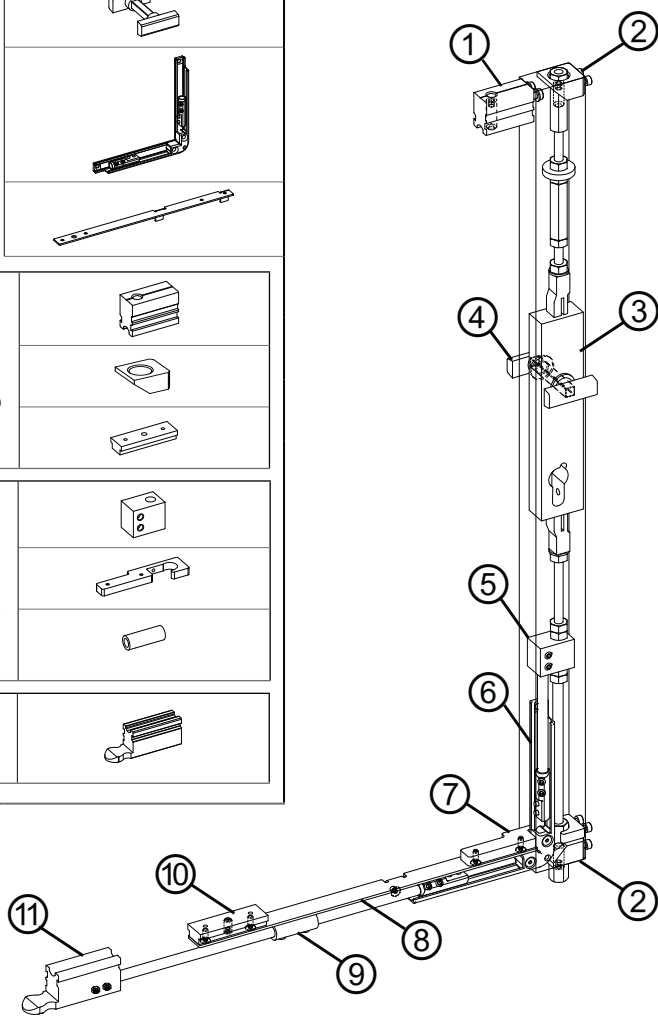


i+

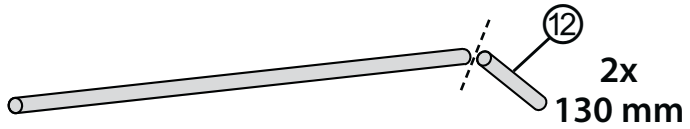
D



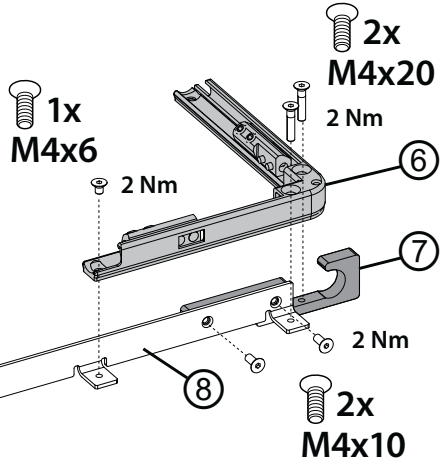
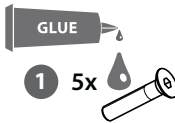
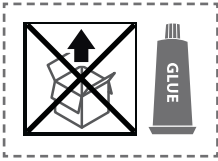
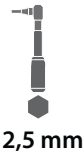
3		
4		
6	 185897	
8		
1		
2	 192110	
10		
5		
7	 192108	
9		
11	 192109	



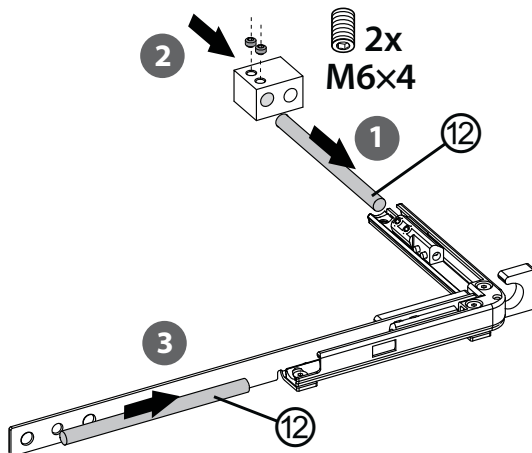
D1



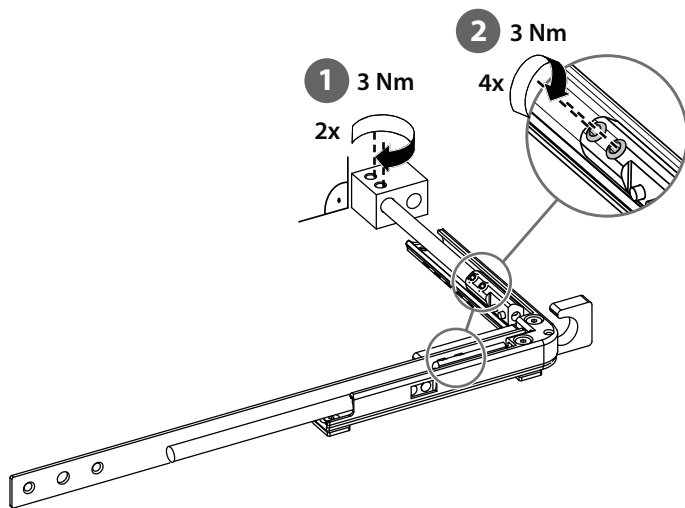
D2



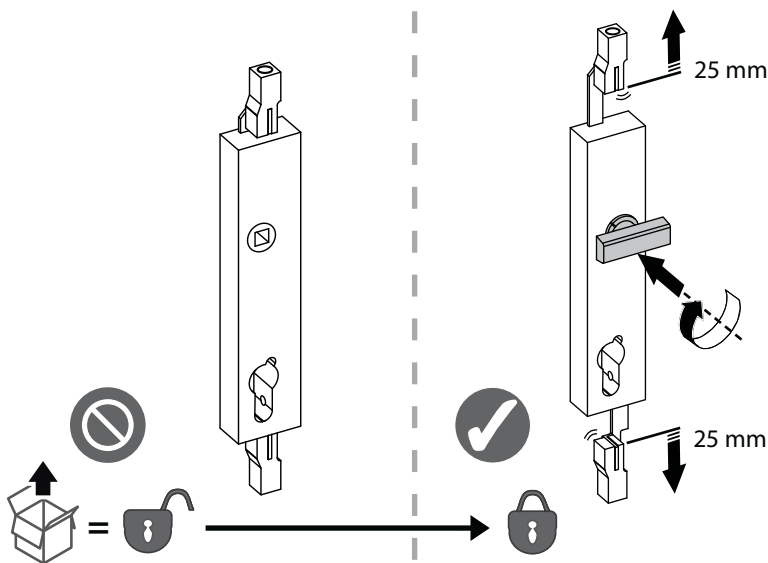
D3



## D4

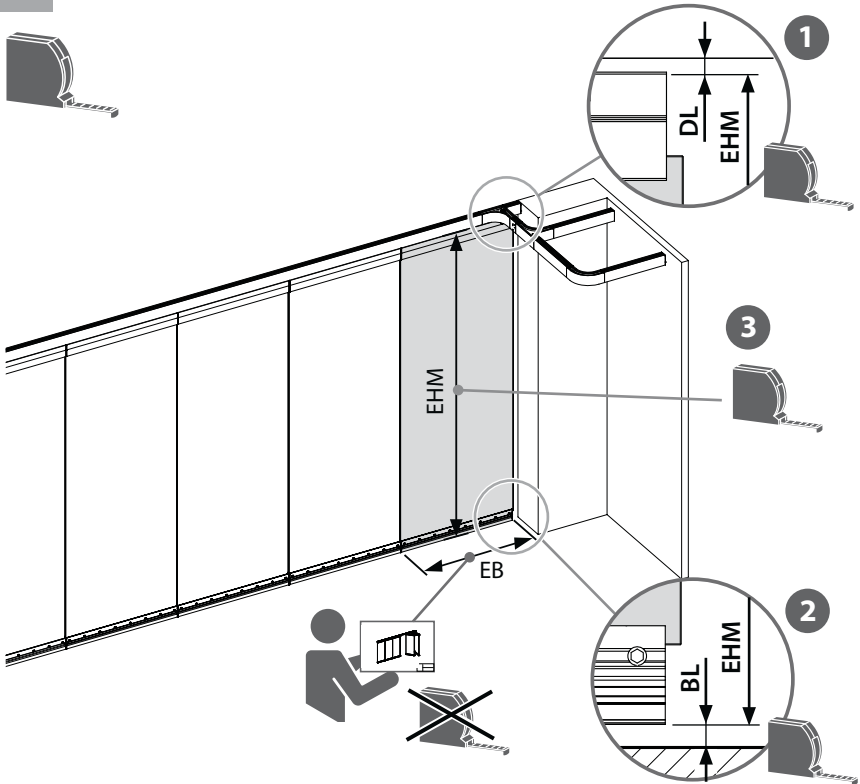


## D5






D6


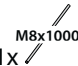

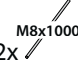

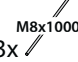



	[mm]
DL	
EHM	
BL	

4

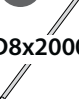

**1**  **1x L1 [mm]**  
= EHM - 1150

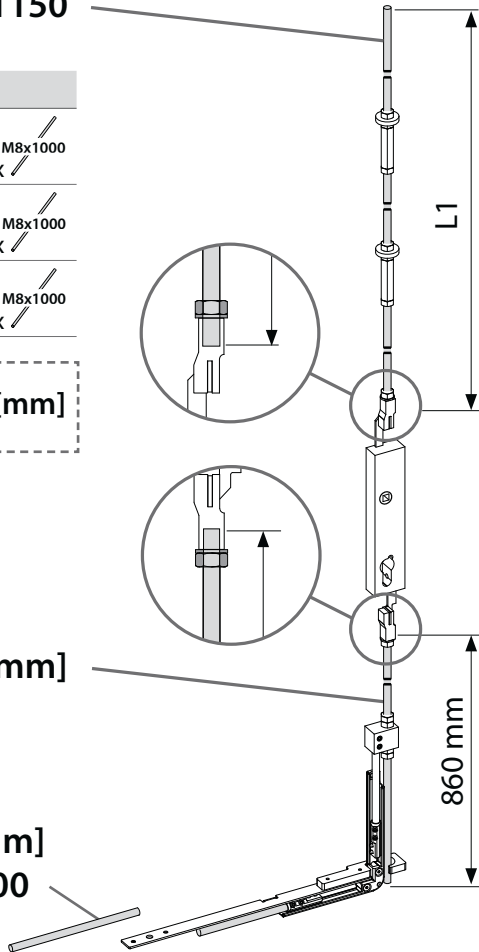
L1 [mm]

850 - 1000	0x 	1x  M8x1000
1001 - 2000	1x 	2x  M8x1000
2001 - 3850	2x 	3x  M8x1000

 **M8x1000 >100 [mm]**

**2**   **1x 860 [mm]**  
M8x1000

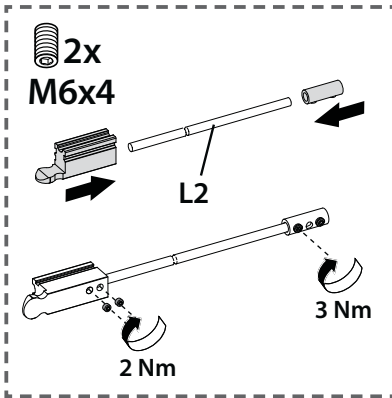
**3**   **1x L2 [mm]**  
= EB - 300  
D8x2000







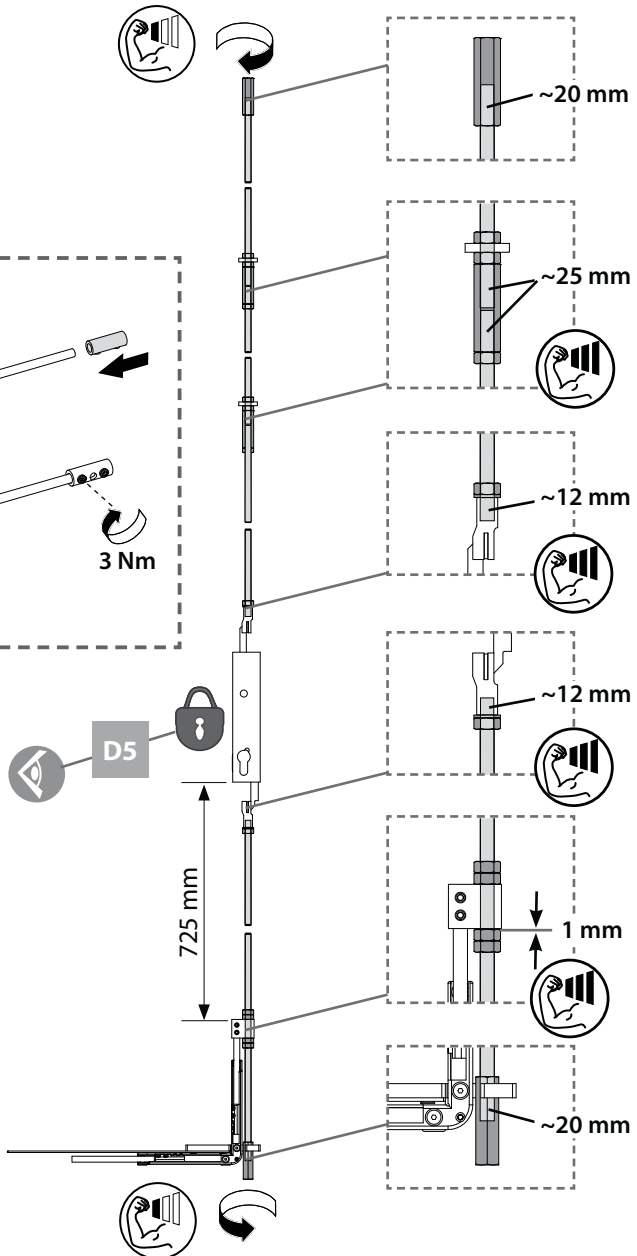
# D8



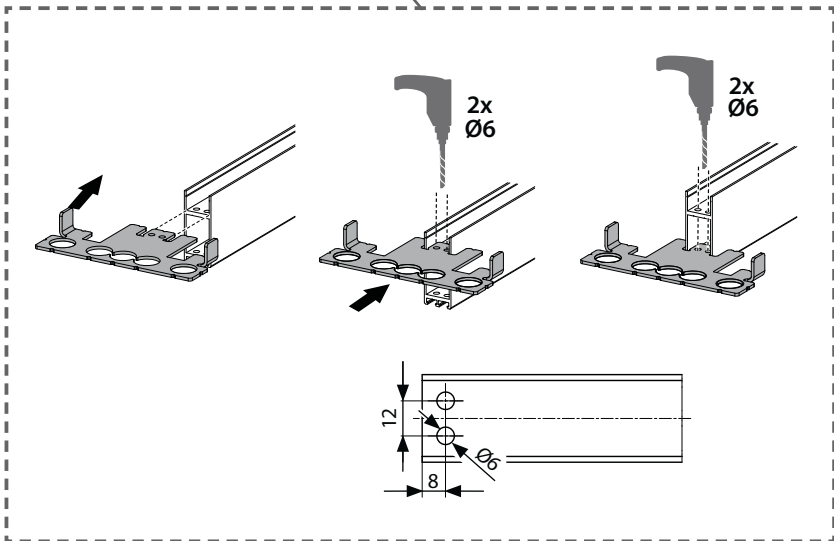
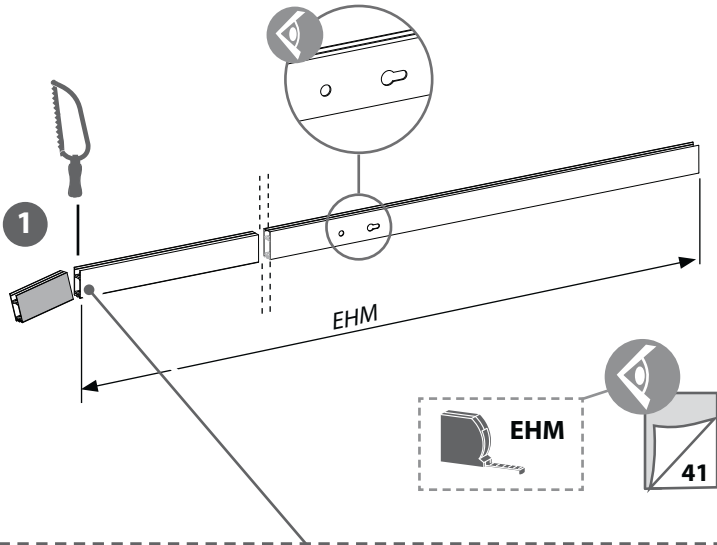
13 mm 3 mm  
(2x)



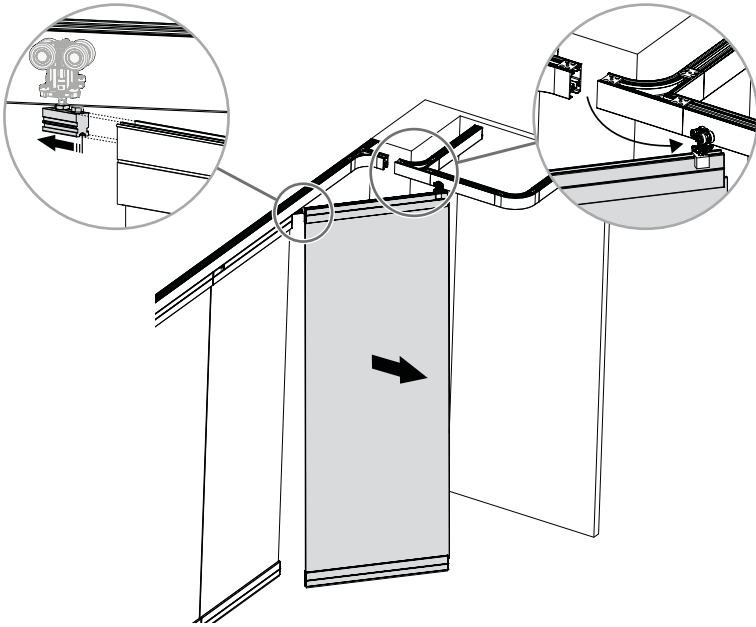
-  4x M8x50
-  12x M8
-  2x 8,4x15
-  2x 8,7x25



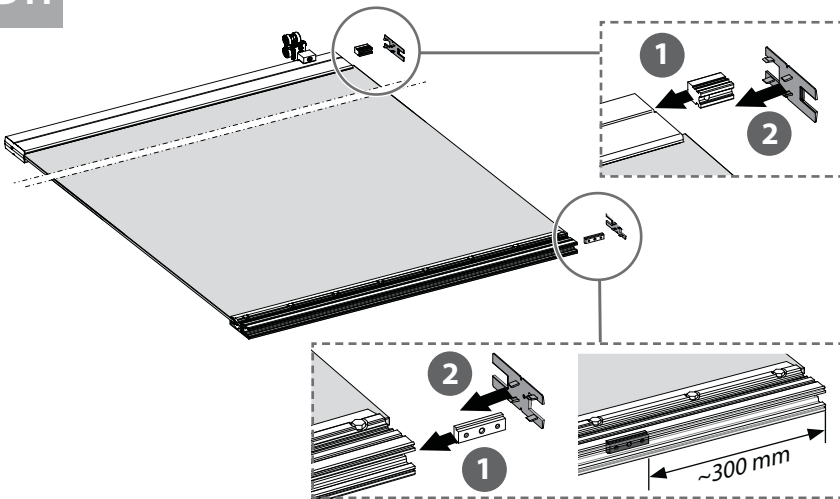
D9



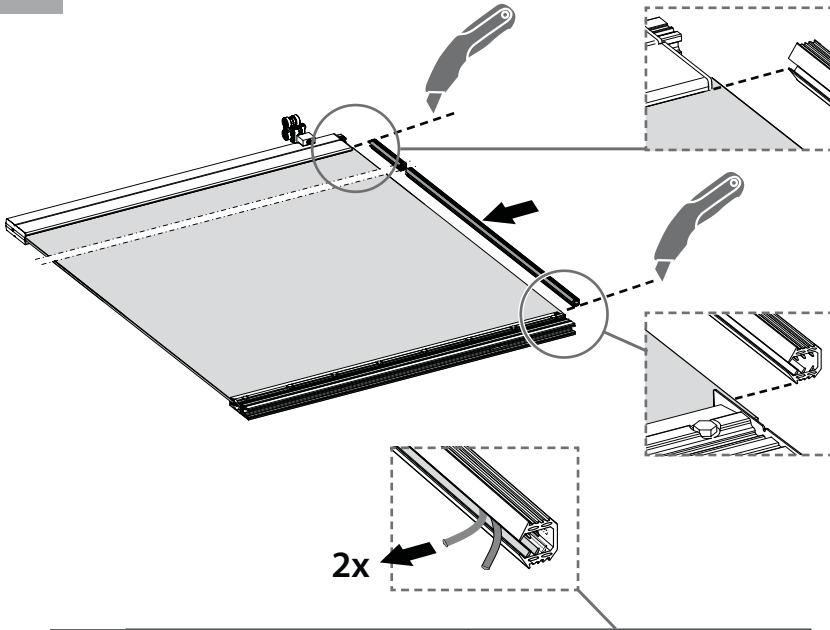
D10



D11

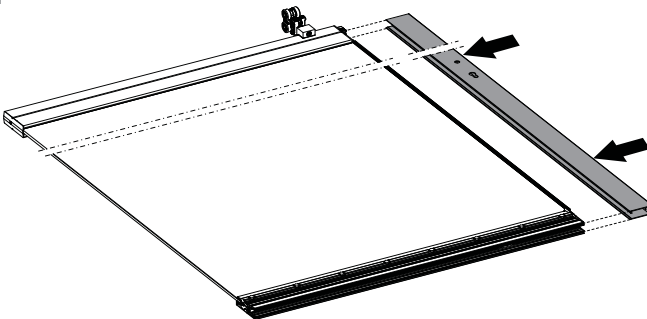


# D12

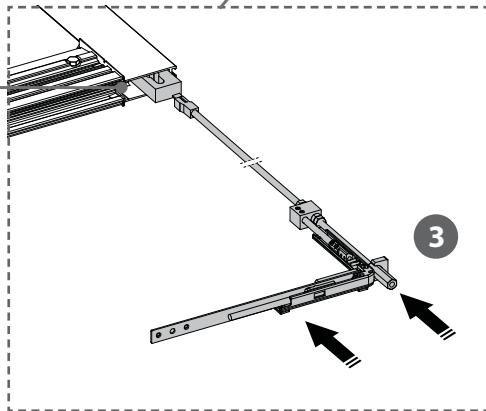
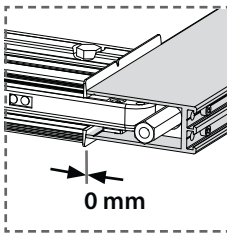
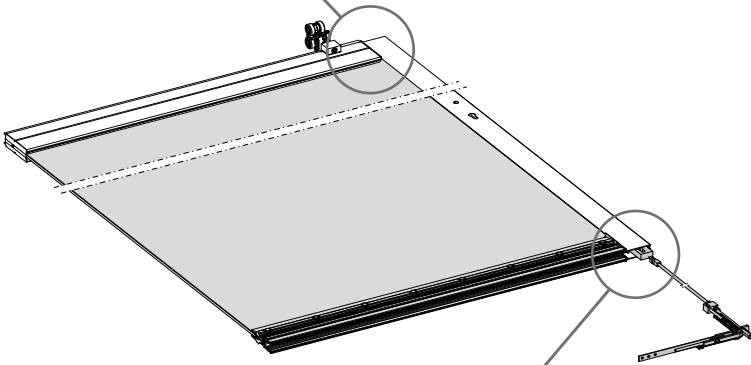
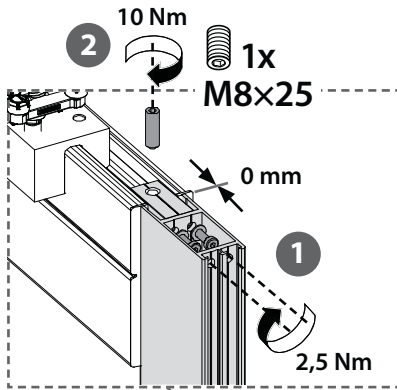


<b>i+</b>	ESG 10 mm / VSG 10,76 mm	ESG 12 mm / VSG 12,76 mm

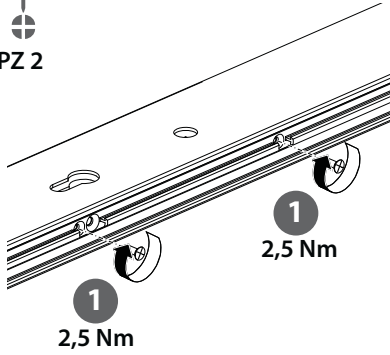
# D13



# D14

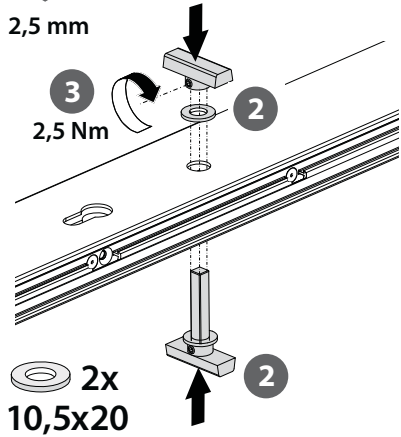


# D15

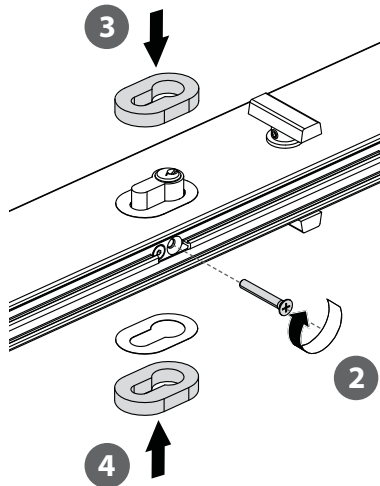
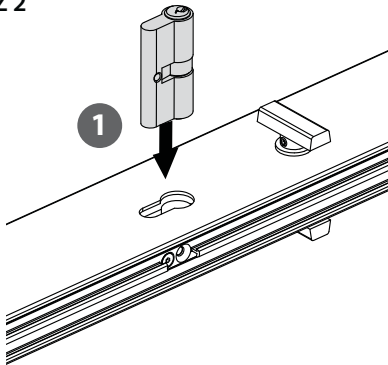
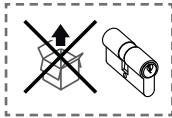


2x  
M4x10

# D16



# i+

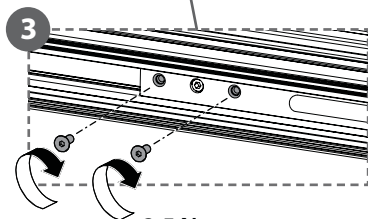
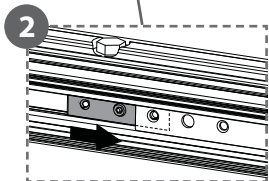




# D17



2,5 mm  
3 mm

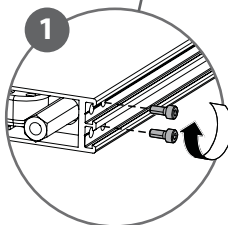
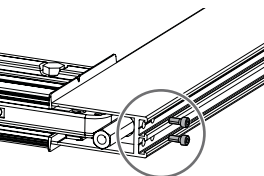


2x  
M4x10

2,5 Nm

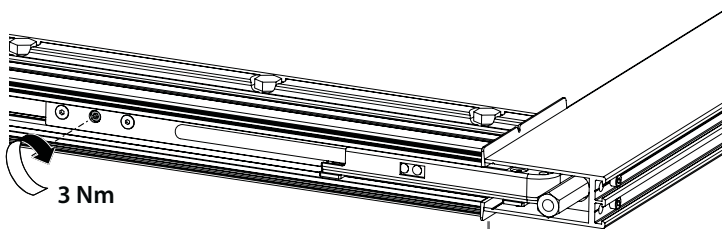
4  
3 Nm

1x  
M6x12



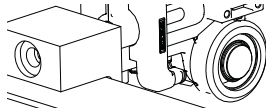
2x  
M4x10

2,5 Nm

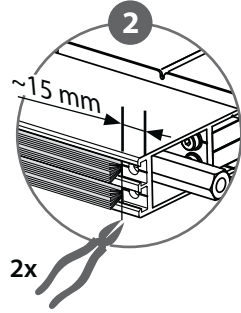


0 mm

**i+**



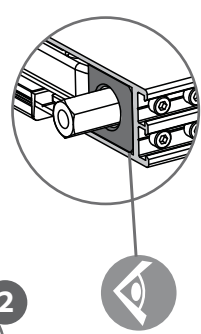
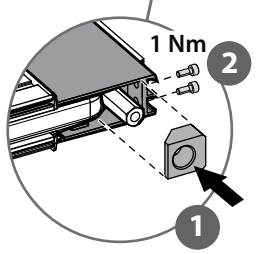
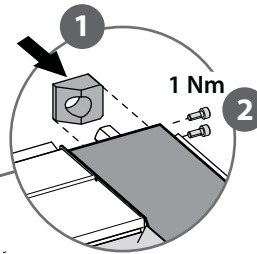
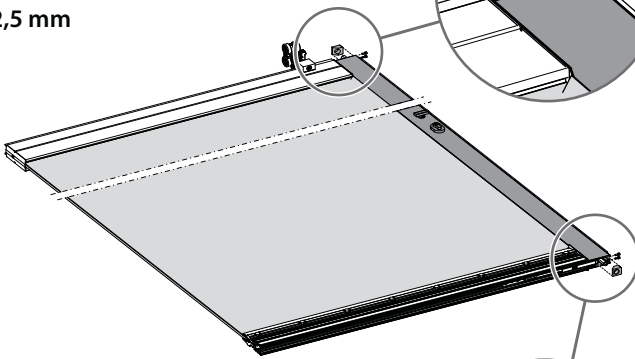
1



**D18**

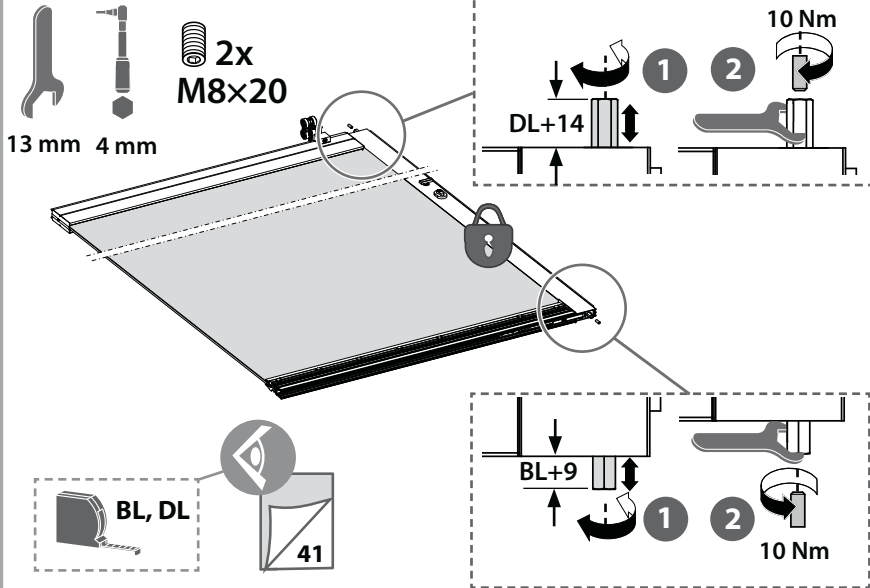


2,5 mm

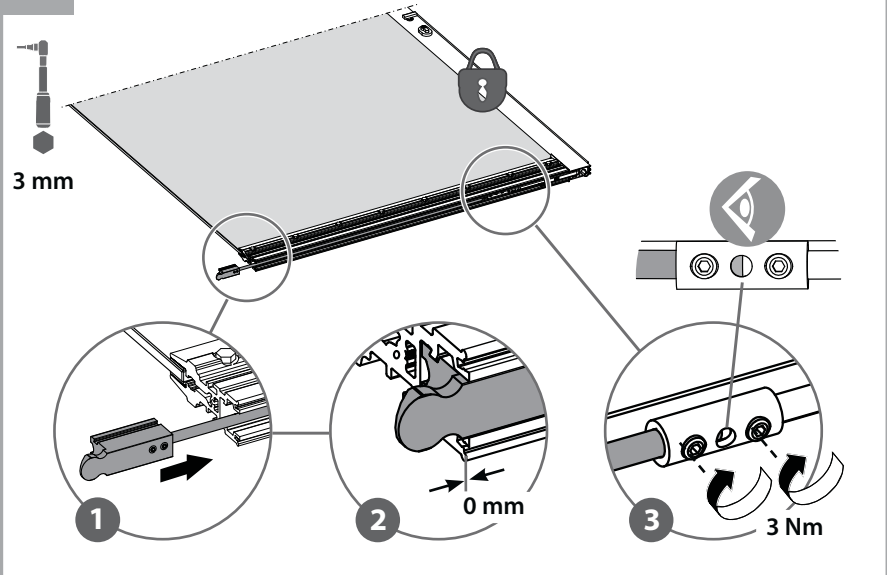


4x  
M4x10

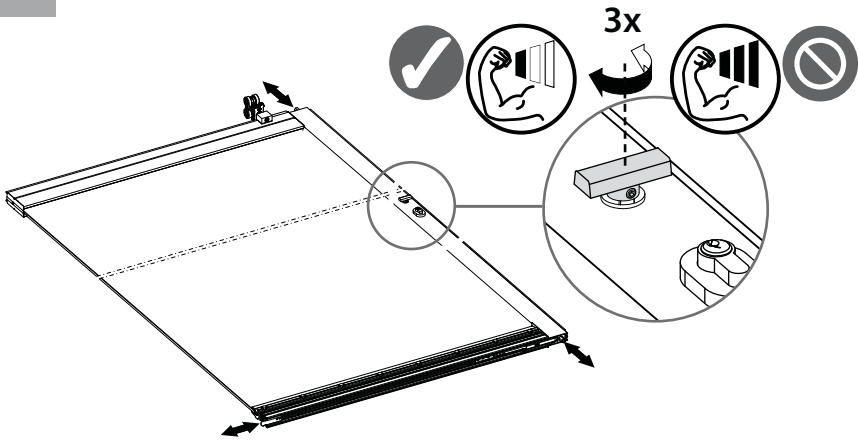
# D19



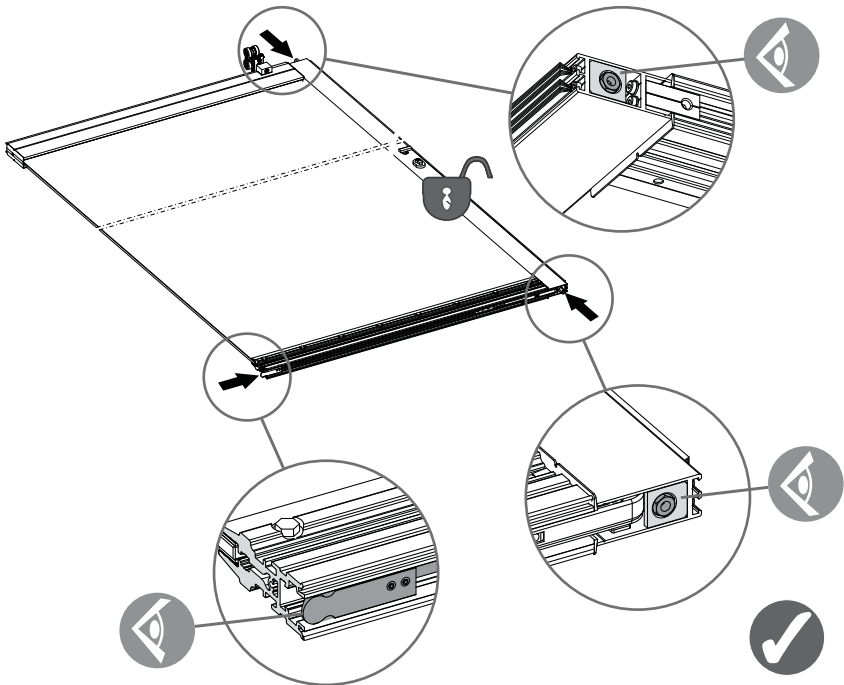
# D20

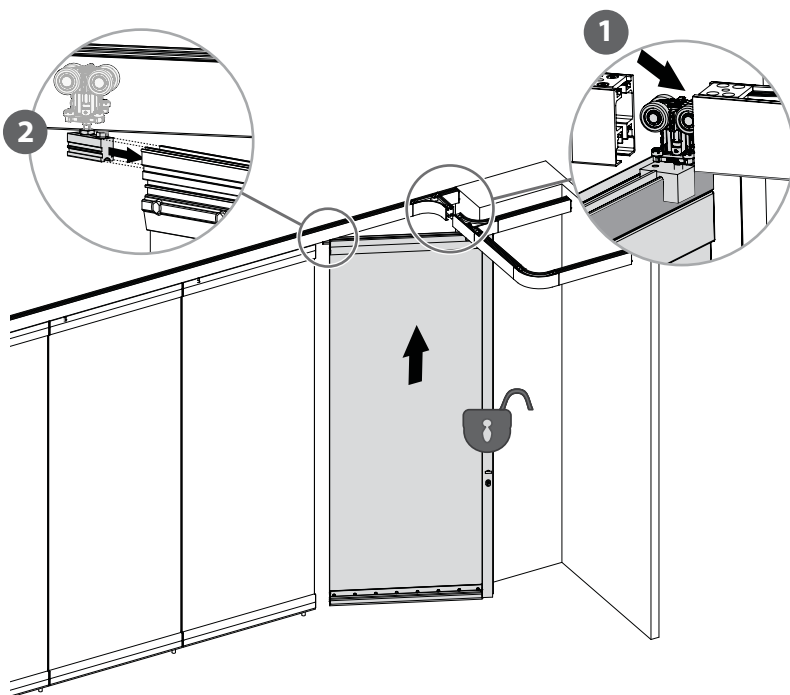


D21



D22

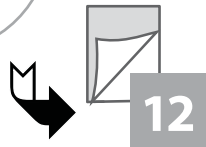
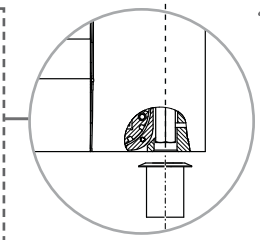
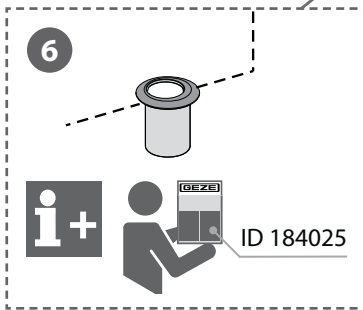
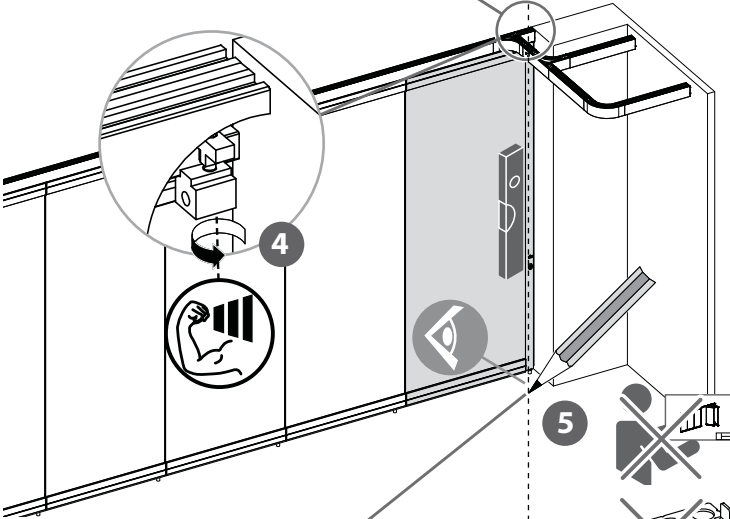
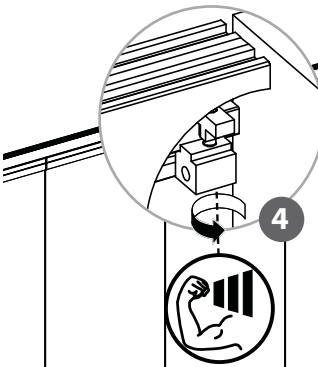
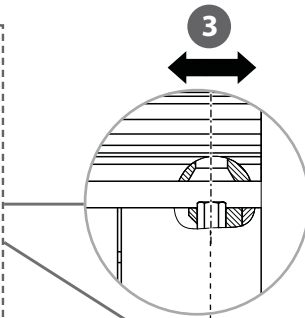
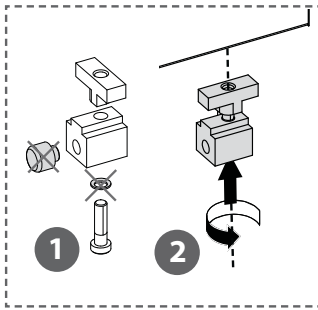


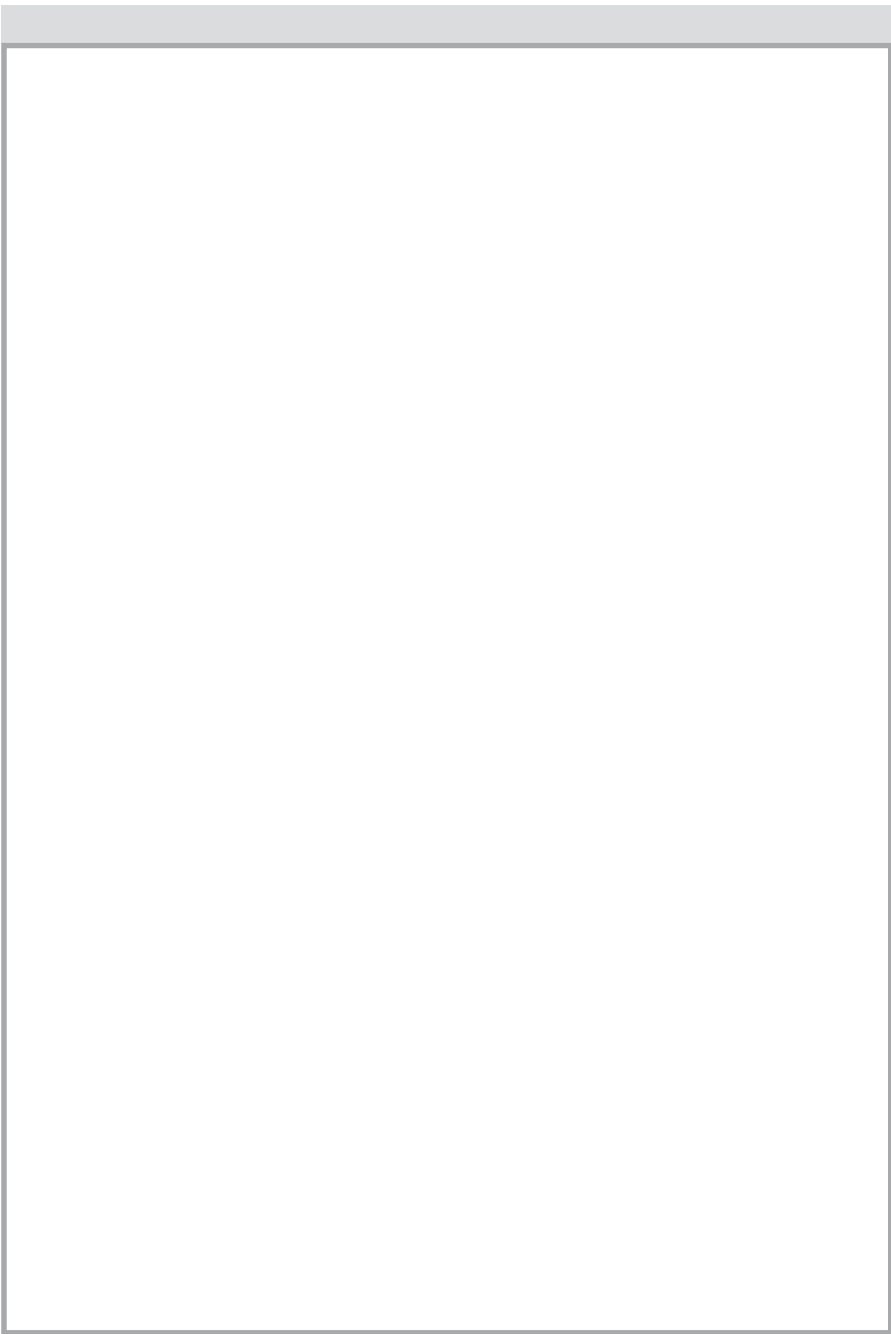


D24



6 mm





**Germany**

GEZE GmbH  
Niederlassung Süd-West  
Tel. +49 (0) 7152 203 594  
E-Mail: leonberg.de@geze.com

GEZE GmbH  
Niederlassung Süd-Ost  
Tel. +49 (0) 7152 203 6440  
E-Mail: muenchen.de@geze.com

GEZE GmbH  
Niederlassung Ost  
Tel. +49 (0) 7152 203 6840  
E-Mail: berlin.de@geze.com

GEZE GmbH  
Niederlassung Mitte/Luxemburg  
Tel. +49 (0) 7152 203 6888  
E-Mail: frankfurt.de@geze.com

GEZE GmbH  
Niederlassung West  
Tel. +49 (0) 7152 203 6770  
E-Mail: duesseldorf.de@geze.com

GEZE GmbH  
Niederlassung Nord  
Tel. +49 (0) 7152 203 6600  
E-Mail: hamburg.de@geze.com

GEZE Service GmbH  
Tel. +49 (0) 1802 923392  
E-Mail: service-info.de@geze.com

**Austria**

GEZE Austria  
E-Mail: austria.at@geze.com  
www.geze.at

**Baltic States –**

Lithuania / Latvia / Estonia  
E-Mail: baltic-states@geze.com

**Benelux**

GEZE Benelux B.V.  
E-Mail: benelux.nl@geze.com  
www.geze.be  
www.geze.nl

**Bulgaria**

GEZE Bulgaria - Trade  
E-Mail: office-bulgaria@geze.com  
www.geze.bg

**China**

GEZE Industries (Tianjin) Co., Ltd.  
E-Mail: chinasales@geze.com.cn  
www.geze.com.cn

GEZE Industries (Tianjin) Co., Ltd.  
Branch Office Shanghai  
E-Mail: chinasales@geze.com.cn  
www.geze.com.cn

GEZE Industries (Tianjin) Co., Ltd.  
Branch Office Guangzhou  
E-Mail: chinasales@geze.com.cn  
www.geze.com.cn

GEZE Industries (Tianjin) Co., Ltd.  
Branch Office Beijing  
E-Mail: chinasales@geze.com.cn  
www.geze.com.cn

**France**

GEZE France S.A.R.L.  
E-Mail: france.fr@geze.com  
www.geze.fr

**Hungary**

GEZE Hungary Kft.  
E-Mail: office-hungary@geze.com  
www.geze.hu

**Iberia**

GEZE Iberia S.R.L.  
E-Mail: info.es@geze.com  
www.geze.es

**India**

GEZE India Private Ltd.  
E-Mail: office-india@geze.com  
www.geze.in

**Italy**

GEZE Italia S.r.l  
E-Mail: italia.it@geze.com  
www.geze.it

GEZE Engineering Roma S.r.l  
E-Mail: italia.it@geze.com  
www.geze.it

**Korea**

GEZE Korea Ltd.  
E-Mail: info.kr@geze.com  
www.geze.com

**Poland**

GEZE Polska Sp.z o.o.  
E-Mail: geze.pl@geze.com  
www.geze.pl

**Romania**

GEZE Romania S.R.L.  
E-Mail: office-romania@geze.com  
www.geze.ro

**Russia**

OOO GEZE RUS  
E-Mail: office-russia@geze.com  
www.geze.ru

**Scandinavia – Sweden**

GEZE Scandinavia AB  
E-Mail: sverige.se@geze.com  
www.geze.se

**Scandinavia – Norway**

GEZE Scandinavia AB avd. Norge  
E-Mail: norge.se@geze.com  
www.geze.no

**Scandinavia – Denmark**

GEZE Danmark  
E-Mail: danmark.se@geze.com  
www.geze.dk

**Singapore**

GEZE (Asia Pacific) Pte, Ltd.  
E-Mail: gezesea@geze.com.sg  
www.geze.com

**South Africa**

GEZE South Africa (Pty) Ltd.  
E-Mail: info@gezesa.co.za  
www.geze.co.za

**Switzerland**

GEZE Schweiz AG  
E-Mail: schweiz.ch@geze.com  
www.geze.ch

**Turkey**

GEZE Kapı ve Pencere Sistemleri  
E-Mail: office-turkey@geze.com  
www.geze.com

**Ukraine**

LLC GEZE Ukraine  
E-Mail: office-ukraine@geze.com  
www.geze.ua

**United Arab Emirates/GCC**

GEZE Middle East  
E-Mail: gezeme@geze.com  
www.geze.ae

**United Kingdom**

GEZE UK Ltd.  
E-Mail: info.uk@geze.com  
www.geze.com

**GEZE GmbH**

Reinhold-Vöster-Straße 21–29  
71229 Leonberg  
Germany

Tel.: 0049 7152 203 0  
Fax: 0049 7152 203 310  
www.geze.com

