

GEZE Perlan AUT-NT

Wood fitting 1-1/2-leaf

GB Mounting instructions

Table of contents



1	Symbols and means of representation	3
1.1	Warnings	3
1.2	Further symbols and means of representation.....	3
2	Product liability	3
3	Safety	3
3.1	Intended use.....	3
3.2	Important safety instructions	4
3.3	Safety-conscious working	4
3.4	Inspection of the mounted system.....	4
3.5	Additionally applicable documents	4
4	Transportation and storage	5
5	Tools and aids	5
6	Product description	5
6.1	Technical data	5
6.2	Function description	5
7	Mounting instructions	6
8	Mounting.....	6
8.1	Mounting tracks.....	6
8.2	Mounting the drive unit.....	8
8.3	Hanging in the door leaves.....	11
8.4	Positioning the door leaf to the main closing edge.....	13
8.5	Positioning the door leaf to the side closing edge	15
8.6	Mounting the floor guide	19
8.7	Mounting the toothed belt.....	20
9	EC-Declaration of Conformity	27

1 Symbols and means of representation

1.1 Warnings



In these instructions, warnings are used to warn against material damage and injuries.

- ▶ Always read and observe these warnings.
- ▶ Observe all the measures that are marked with the warning symbol and warning word.

Warning symbol	Warning word	Meaning
	WARNING	Danger for persons. Non-compliance can result in death or serious injuries.
	CAUTION	Danger for persons. Non-compliance can result in minor injuries.
–	CAUTION	Information on avoiding material damage, understanding a concept or optimising the processes.

1.2 Further symbols and means of representation

Important information and technical notes are emphasised in order to illustrate the correct operation.

Symbol	Meaning
	means "important note"
	means "additional information"
▶	Symbol for an action: Here you have to do something. ▶ Observe the sequence if there are several action steps.

2 Product liability

In accordance with the liability of manufacturers for their products as defined in the German "Produkthaftungsgesetz" (Product Liability Act), the information contained in these instructions (product information and proper use, misuse, product performance, product maintenance, obligations to provide information and instructions) is to be observed. Non-compliance releases the manufacturer from its statutory liability.

3 Safety

3.1 Intended use

The PERLAN AUT-NT sliding door drive is designed for the automatic opening and closing of the sliding leaves.

The PERLAN AUT-NT sliding door drive is suitable for use in dry rooms in private areas.

The PERLAN AUT-NT sliding door drive may not be used at fire or smoke protection doors and in a hazardous (Ex) area.

The PERLAN AUT-NT sliding door drive may not be used to open and close vertical sliding leaves.

Any other use than the proper use, such as permanent manual operation, as well as all changes to the product are impermissible.

3.2 Important safety instructions

- To ensure personal safety, it is important to follow these instructions.
- Keep these instructions.
- The prescribed mounting, maintenance and repair work must be performed by properly trained personnel authorised by GEZE.
- GEZE shall not be liable for injuries or damage resulting from unauthorised modification of the system.
- GEZE shall not be liable if products from other manufacturers are used with GEZE equipment.
- Only original GEZE parts may be used for repair and maintenance work.
- The connection to the power supply must be made by a professional electrician. Perform the power connection in accordance with DIN VDE 0100-610.
- The electrical installation at the customer has to have an all-pole power disconnecter that can be secured reliably against reactivating (e.g. lockable switch with at least 3 mm contact opening).
- A customer-side 10 A overload cut-out must be used as the line-side disconnecting device.
- Observe the latest versions of guidelines, standards and country-specific regulations, in particular:
 - BGR 232 "Guidelines for power-operated windows, doors and gates"
 - DIN 18650, Part 1 and 2 "Automatic door systems"
 - DIN VDE 100-600 "Installation of low-voltage systems - Part 6 Tests"
 - DIN EN 60335-1 "Safety of electrical devices for home use and similar purposes"
 - Accident-prevention regulations, especially BGV A1 (VBG1) "General regulations", BGV A3 (VBG4) "Electrical systems and equipment"

3.3 Safety-conscious working

- ▶ Protect the workplace against unauthorised entry.
- ▶ Use only cables specified in the cable plan and shield in accordance with the wiring diagram.
- ▶ Before working on the electrical system disconnect the drive from the 230 V mains network and check the safe isolation from supply.
- Note that the system will still be supplied with power, despite the fact that the power supply is disconnected, if an uninterruptible power supply (UPS) is used.
- ▶ Always use insulated wire-end ferrules for wire cores.
- Danger of injury by sharp edges in the drive!

3.4 Inspection of the mounted system

Safety analysis (danger analysis)

In accordance with Machinery Directive 2006/42/EC and DIN 18650, a risk analysis must be performed and the door system identified in accordance with CE Identification Directive 98/68/EEC before commissioning the door system.

This includes:

- ▶ Enter the classification in accordance with DIN 18650-1 on the information plate and adhere the information plate onto the drive housing so that it is visible from below.
- ▶ Check the measures for security and prevention of crushing, impact, shearing or drawing-in spots.
- Check the electrical fusing.
- Check the system for avoidable operating errors.

3.5 Additionally applicable documents

Drawing No.	Type
10421-9-9609	PERLAN AUT-NT wiring diagram
10421-9-9610	PERLAN AUT-NT cable plan
10421-9-9624	PERLAN AUT-NT user manual



The diagrams are subject to change.
Use only the most recent versions.

4 Transportation and storage

CAUTION!

Damage to the PERLAN AUT-NT sliding door drive through hard knocks and falls.

- ▶ Do not throw or let drop the PERLAN AUT-NT.

CAUTION!

Storage temperatures under -15°C and above $+60^{\circ}\text{C}$ can result in damage to the device.

- ▶ Store dry. Protect from moisture during transportation and storage.

5 Tools and aids

- Tape measure
- Marking pen
- Allen key
- Screwdriver set
- Side-cutting pliers
- Crimping pliers for cables
- Wire stripper
- Multimeter

6 Product description

6.1 Technical data

Mechanical data (drive)

- Dimensions (WxHxL): 55 mm x 45 mm x 145 mm
- Ambient temperature: 0°C to $+50^{\circ}\text{C}$
- Drive mass: approx. 0.75 kg

Electrical data

- Mains connection: 230 V
- Power consumption: max. 35 W, standby approx. 3.5 W
- Externally connectable devices: 24 V DC, max. 50 mA

6.2 Function description

The system is an electrical sliding door drive. The controller drives a 24 V DC motor that moves a linear sliding door via a toothed belt.

6.2.1 Track

Almost the complete technology is located in the track. In addition to the sliding and stop elements, this also contains the drive with the corresponding guide pulleys.

6.2.2 Floor guide

A floor guide is used to guide the sliding element correctly. Its use is mandatory.

6.2.3 Roller carriage/suspension

The roller carriage consists of supported rollers. The leaves are fastened adjustable in height to the suspension.

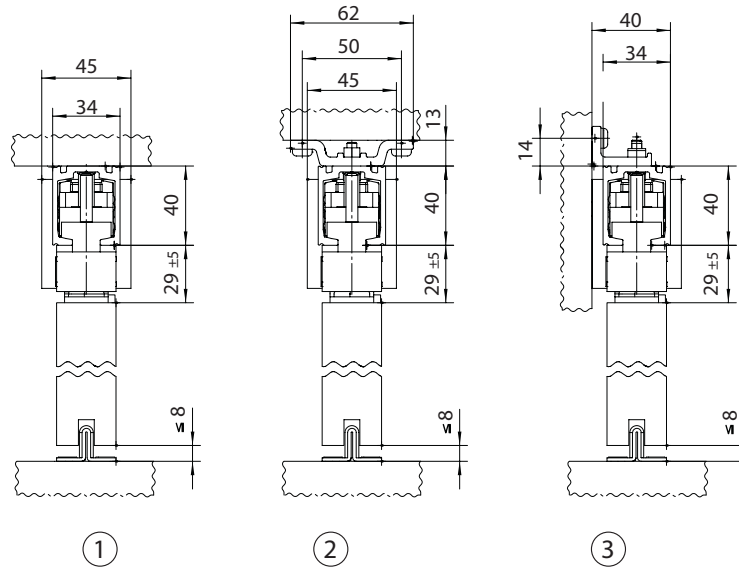
6.2.4 Toothed belt

The toothed belt forms the connection to the sliding elements via pulley guides. The toothed belt is cut to size as required and connected by means of a toothed belt lock.

7 Mounting instructions

- ! Follow the installation diagrams.
 - ▶ The technical company is responsible for the selection of the suitable mounting technology as well as the suitable mounting material. The specified representations have to be adapted in accordance with the situation.

The PERLAN AUT-NT roller-guided sliding door system is offered in the following variants:



- | | |
|---|-----------------------------------|
| 1 Direct ceiling mounting | 3 Wall mounting with wall bracket |
| 2 Ceiling mounting with ceiling bracket | |

- ! Further variants are shown on the Drawings 10421-EP-53 and 10421-EP-55.

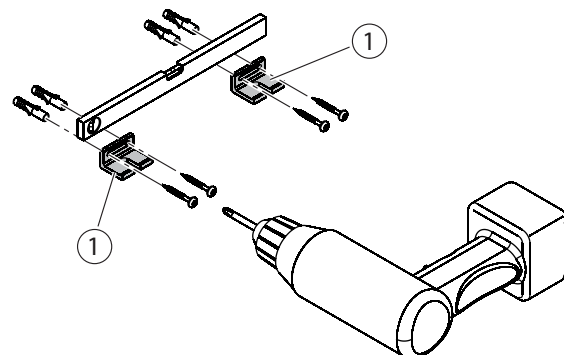
8 Mounting

8.1 Mounting tracks

- ! Take accessibility into account:
 - ▶ If after mounting there is not enough space on the side to slide in the roller carriage, buffer and guide roller (e.g. in case of wall recess mounting), these parts have to be slid in before the track is mounted.

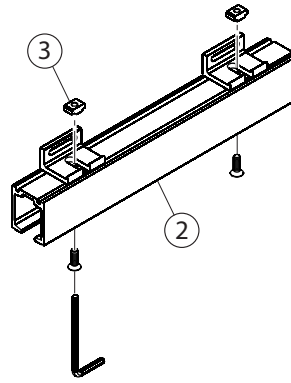
8.1.1 Wall mounting with wall bracket

- ▶ Drill holes for the wall bracket (1) in the wall.
- ▶ Screw the wall bracket (1) onto the wall.



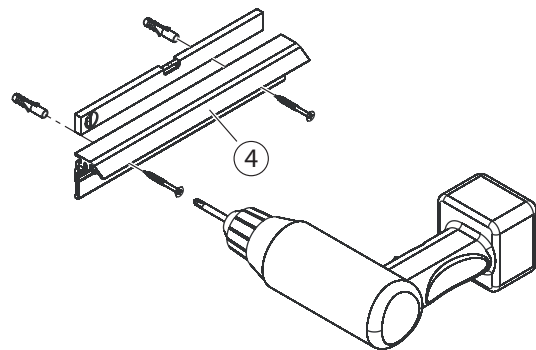
- ! ▶ Use only countersunk screws to fasten the track to the wall bracket.

- ▶ Fasten the track (2) to the wall brackets (1) with screws and sliding blocks (3).



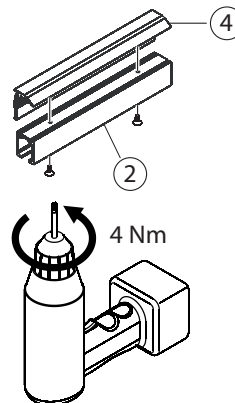
8.1.2 Wall mounting with concealed wall bracket

- ▶ Drill holes for the concealed wall bracket (4) in the wall.
- ▶ Screw the concealed wall bracket (4) onto the wall.



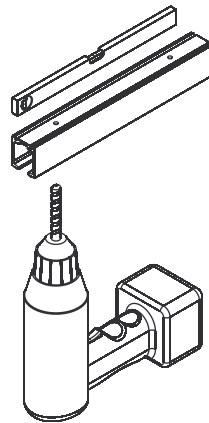
-
- ! ▶ Use only countersunk screws to fasten the concealed wall bracket.
-

- ▶ Screw the track (2) onto the concealed wall bracket (4).



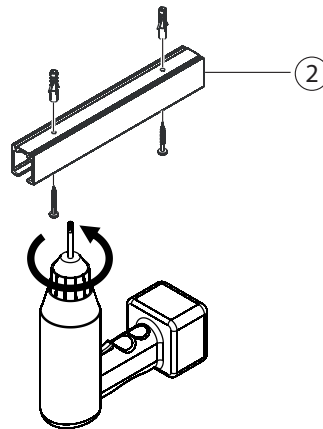
8.1.3 Ceiling mounting

- ▶ Drill holes into the ceiling.



-
- ▶ Use only countersunk screws to fasten the track to the ceiling.

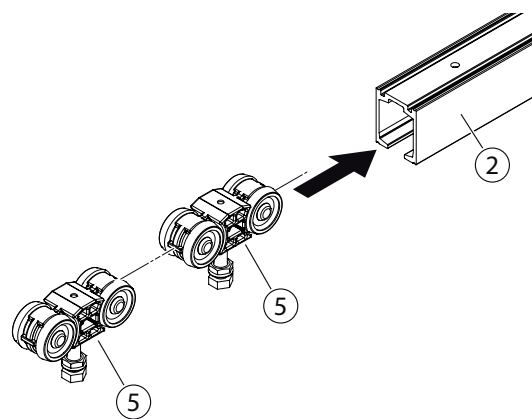
-
- ▶ Use screws to screw the track (2) to the ceiling.



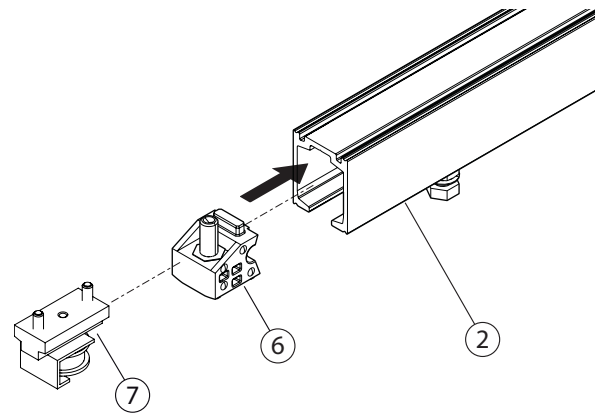
8.2 Mounting the drive unit

8.2.1 Mounting the drive unit for a 1-leaf system

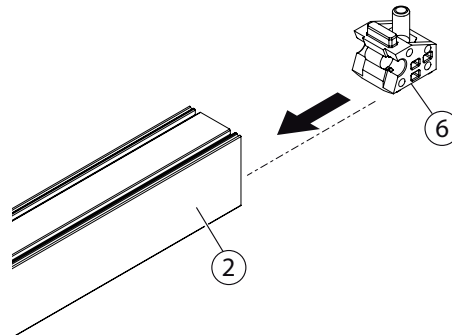
- ▶ Slide the roller carriage (5) into the track (2).



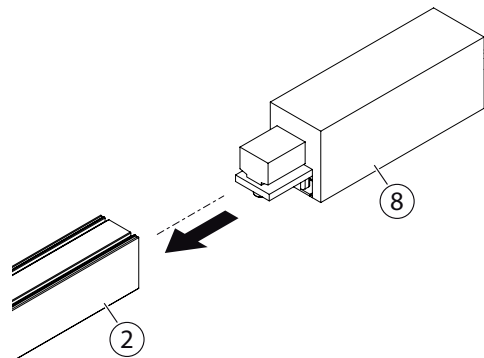
- ▶ Slide the first buffer (6) and guide roller (7) into the track (2).



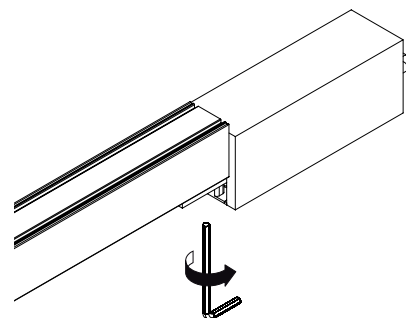
- ▶ Slide the second buffer (6) into the track (2).



- ▶ Slide the drive (8) into the track (2) until it stops.

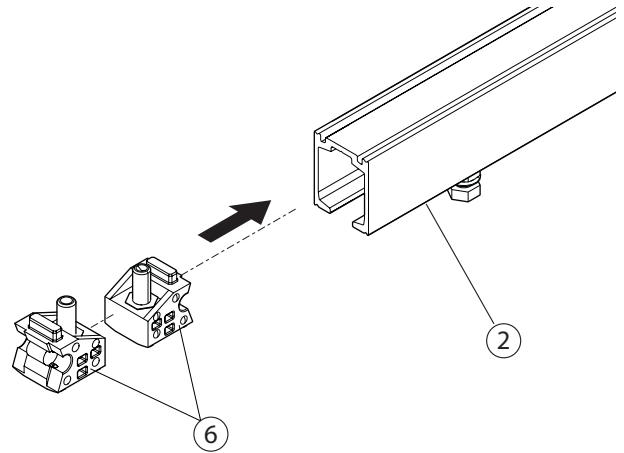


- ▶ Tighten the clamping of the drive with an Allen key Size 4 to 5 Nm.

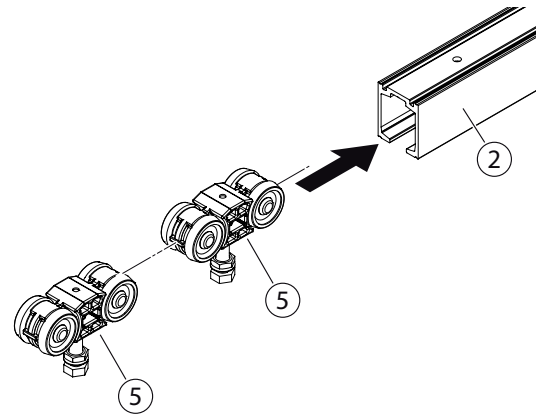


8.2.2 Mounting the drive unit for a 2-leaf system

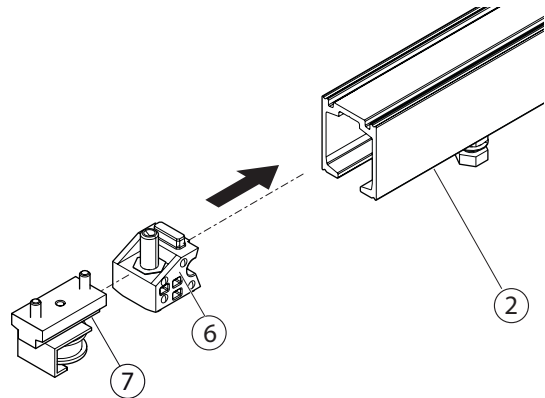
- ▶ Slide the buffer (6) into the track (2).



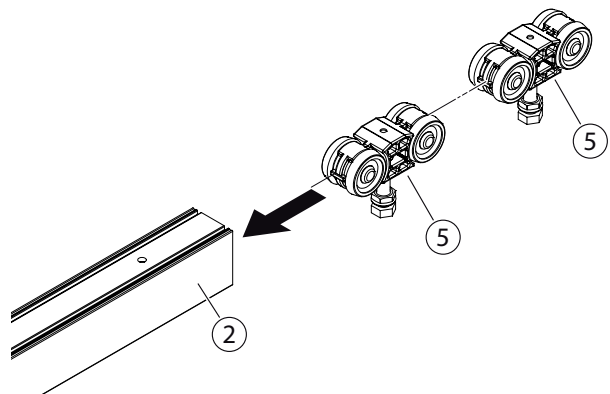
- ▶ Slide the roller carriage (5) into the track (2).



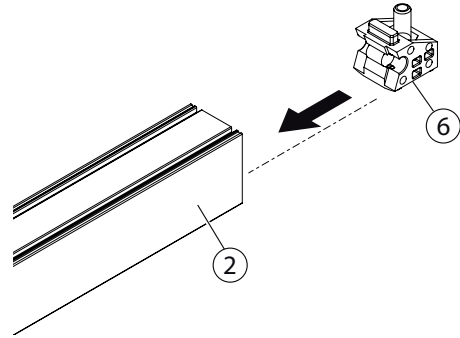
- ▶ Slide the buffer (6) and guide roller (7) into the track (2).



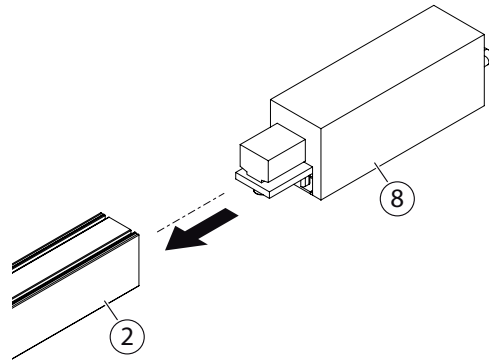
- ▶ Slide the roller carriage (5) into the track (2).



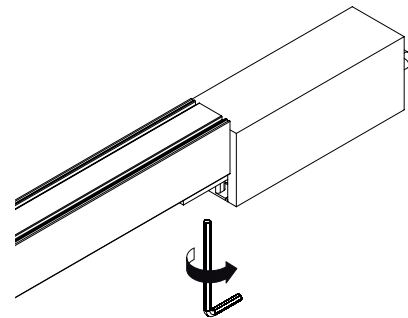
- ▶ Slide the buffer (6) into the track (2).



- ▶ Slide the drive (8) into the track (2) until it stops.



- ▶ Tighten the clamping of the drive with an Allen key Size 4 to 5 Nm.



8.3 Hanging in the door leaves

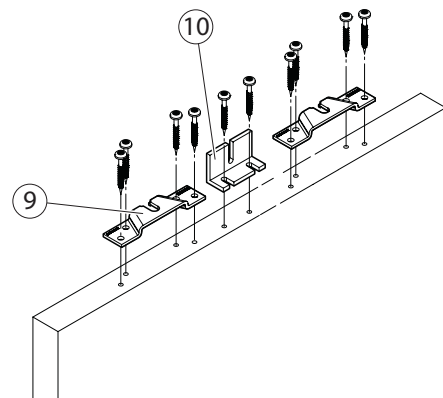
8.3.1 Hanging in the door leaf for a 1-leaf system



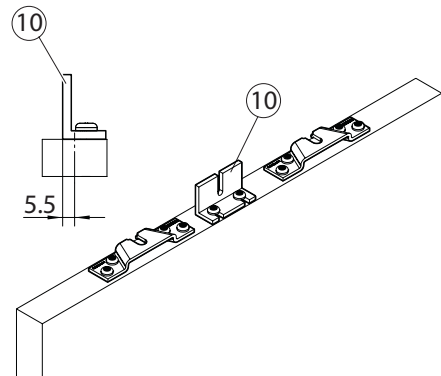
Mounting with a carrier plate on a wooden leaf is shown here.

- For other types of mounting (e.g. concealed carrier plate): see Drawing 10421-EP-38.

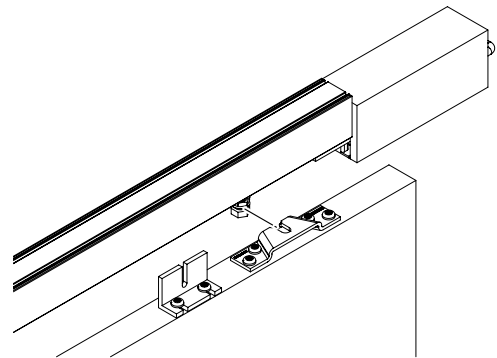
- ▶ Mount the carrier plate (9) and carrier bracket (10) on the door leaf in accordance with Drawing 10421-EP-53.



- ! ▶ Mount the carrier bracket (10) at a distance of 5.5 mm to the door leaf middle.

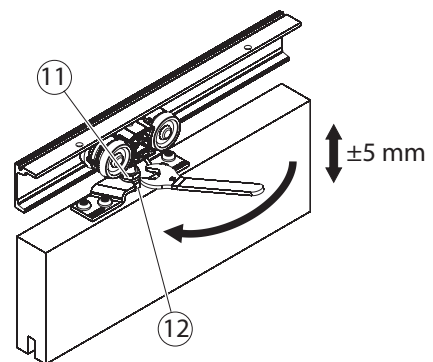


- ▶ Hang in the door leaf and align to the wall.



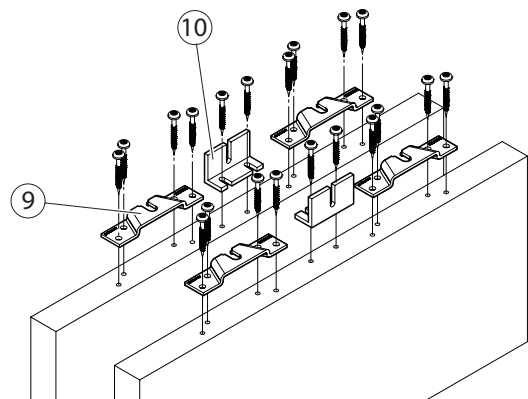
- ! The bottom edge of the door leaf should have a distance of less than 8 mm from the floor and **may not have more than 8 mm under any circumstances.**

- ▶ Adjust the height of the door leaf with the adjusting screws (12).
- ▶ Adjust the door leaf horizontally using the adjusting screws (12).
- ▶ Lock with the hexagon nut (11).



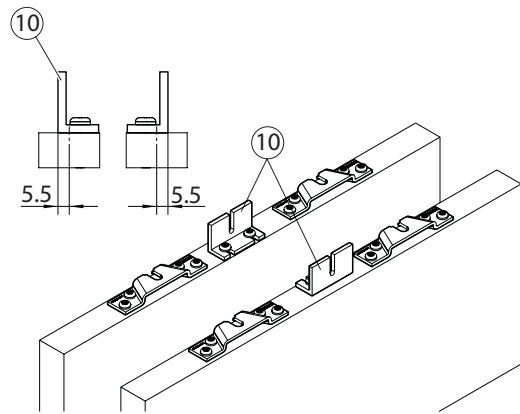
8.3.2 Hanging in the door leaf for a 2-leaf system

- ▶ Mount the carrier plate (9) and carrier bracket (10) for the toothed belt lock on the door leaf in accordance with Drawing 10421-EP-55.



- ▶ **!** During mounting ensure that one carrier bracket (10) points to the wall and the other carrier bracket in the opposite direction.
- ▶ Mount the carrier bracket (10) at a distance of 5.5 mm to the door leaf middle.

- ▶ Hang in the door leaf, adjust with the adjusting screw and lock with the hexagon nut, see Section 8.3.1.

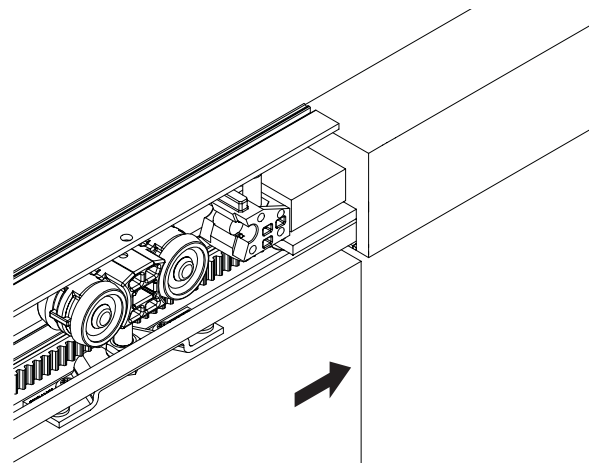


8.4 Positioning the door leaf to the main closing edge

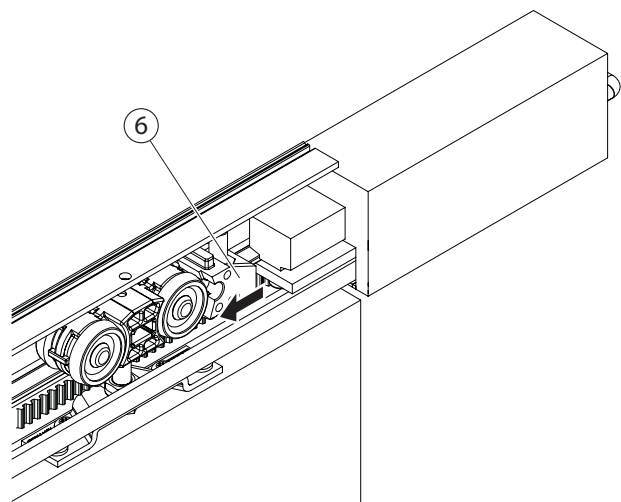
- i** Information on positioning the leaves:
 - 1-leaf wooden door: Drawing 10421-EP-53
 - 2-leaf wooden door: Drawing 10421-EP-55

8.4.1 Positioning the door leaf for a 1-leaf system to the main closing edge

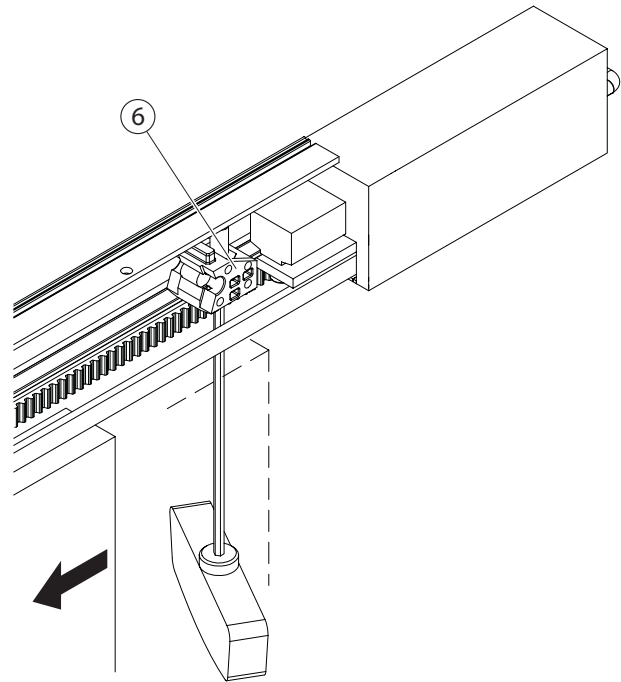
- ▶ Slide the door leaf to the desired position.



- ▶ Slide the buffer (6) to the door leaf or the roller carriage.

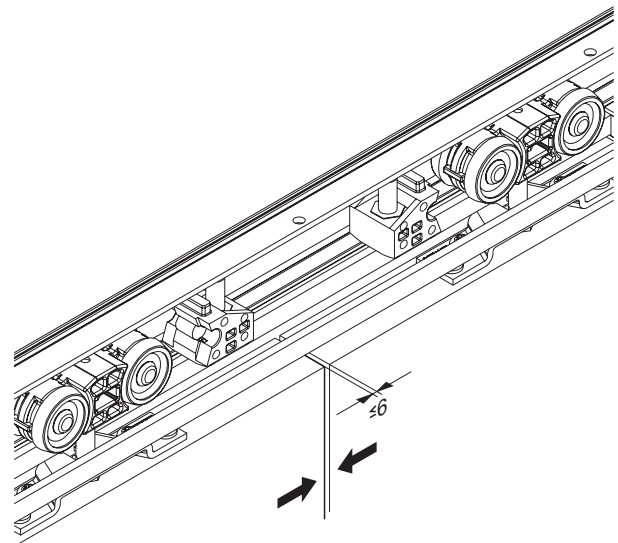


- ▶ Slide the door leaf 200 mm towards the side closing edge.
- ▶ Tighten the clamping of the buffer (6) slightly with an Allen key.
- ▶ Tighten the buffer (6) with 5 Nm.

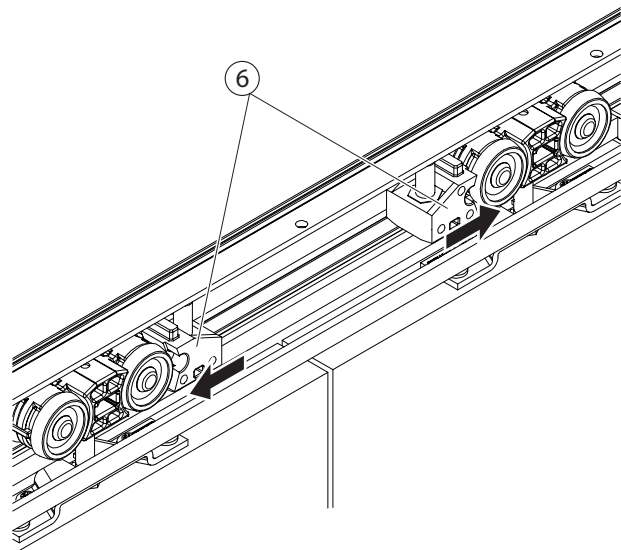


8.4.2 Positioning the door leaf for a 2-leaf system to the main closing edge

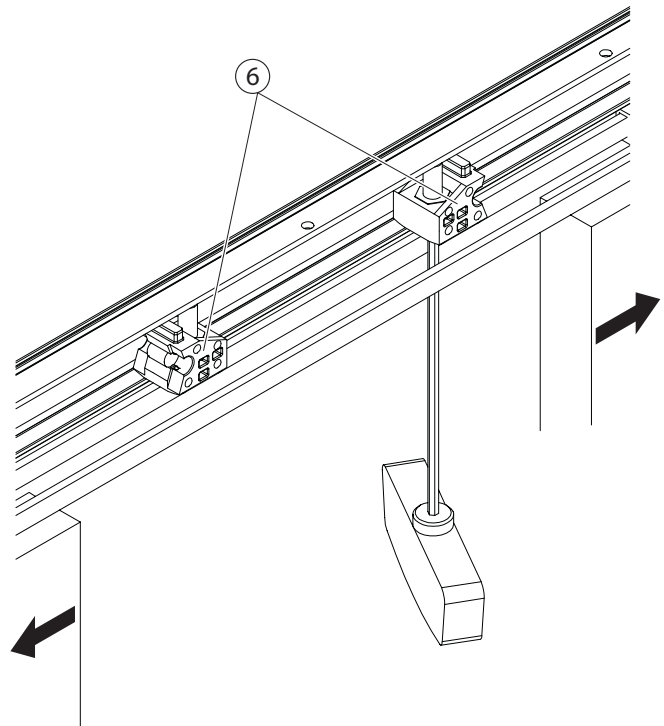
- ▶ Slide the door leaf to the desired position.



- ▶ Slide the buffer (6) to the door leaf or the roller carriage on the left and right.



- ▶ Slide the door leaf 200 mm towards the side closing edge.
- ▶ Tighten the clamping of the left- and right-hand buffer (6) slightly with an Allen key.
- ▶ Tighten the left- and right-hand buffer (6) with 5 Nm.



8.5 Positioning the door leaf to the side closing edge

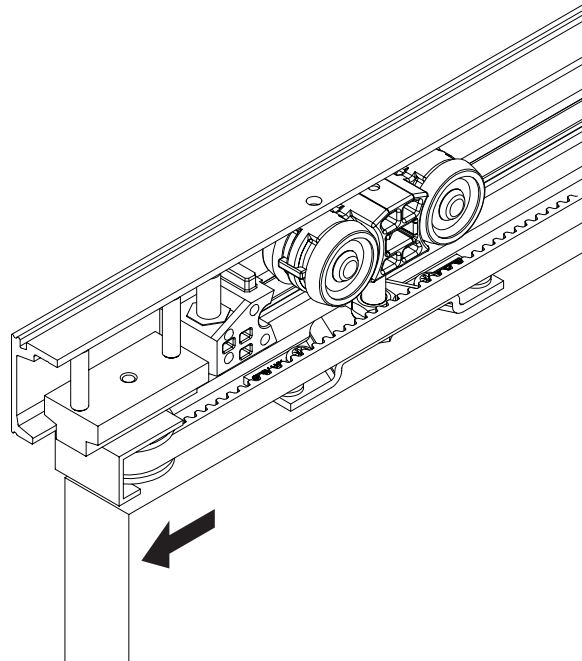


Information on the toothed belt lock mounting set:

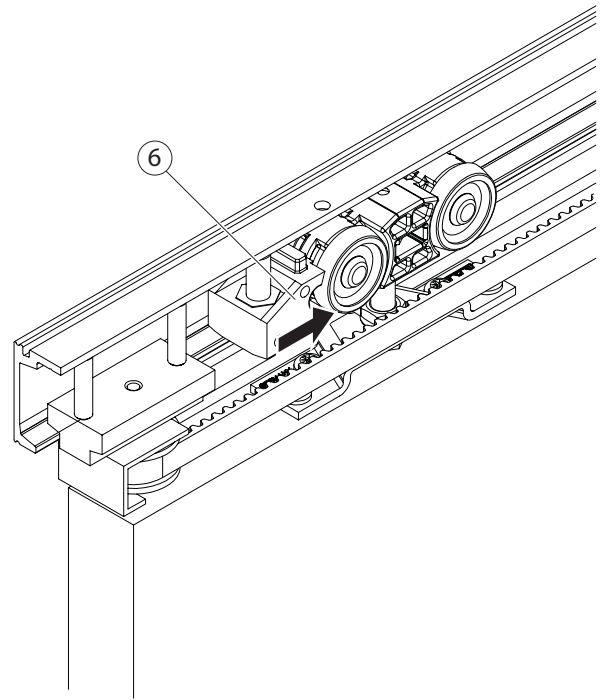
- 1-leaf wooden door: Drawing 10421-EP-53
- 2-leaf wooden door: Drawing 10421-EP-55

8.5.1 Positioning the door leaf for a 1-leaf system to the side closing edge

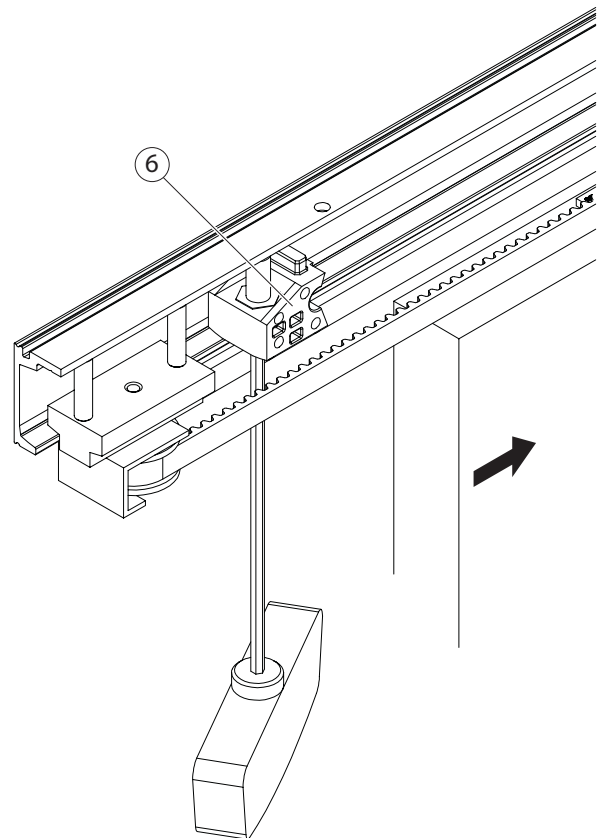
- ▶ Slide the door leaf to the desired position.



- ▶ Slide the buffer (6) to the door leaf or the roller carriage.

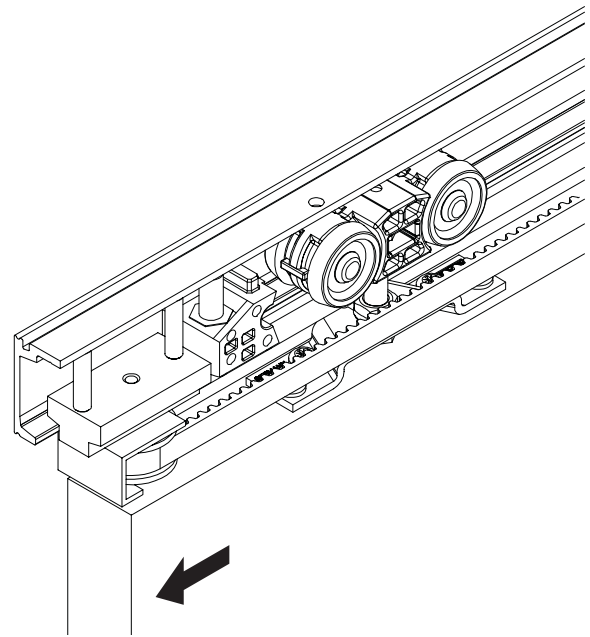


- ▶ Slide the door leaf 200 mm towards the main closing edge.
- ▶ Tighten the clamping of the buffer (6) slightly with an Allen key.
- ▶ Clamp the buffer (6) with 5 Nm.

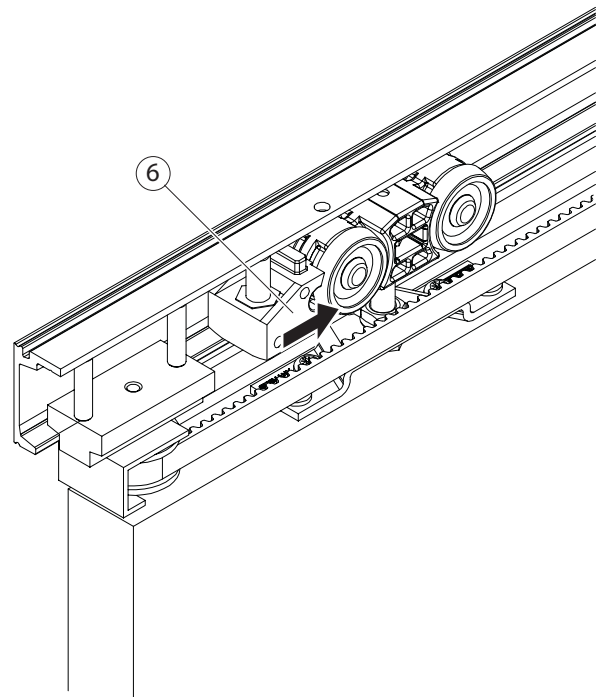


8.5.2 Positioning the door leaf for a 2-leaf system to the side closing edge left

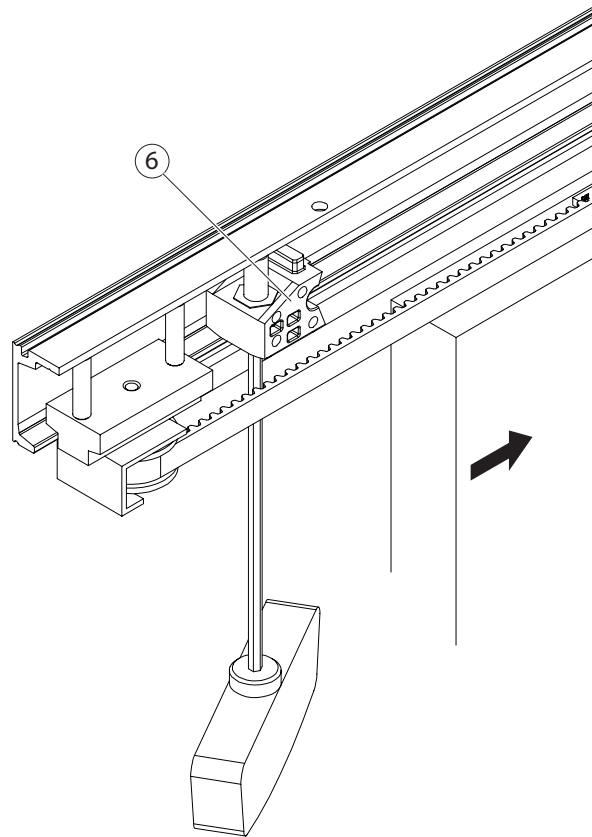
- ▶ Slide the door leaf to the desired position.



- ▶ Slide the buffer (6) to the door leaf or the roller carriage.

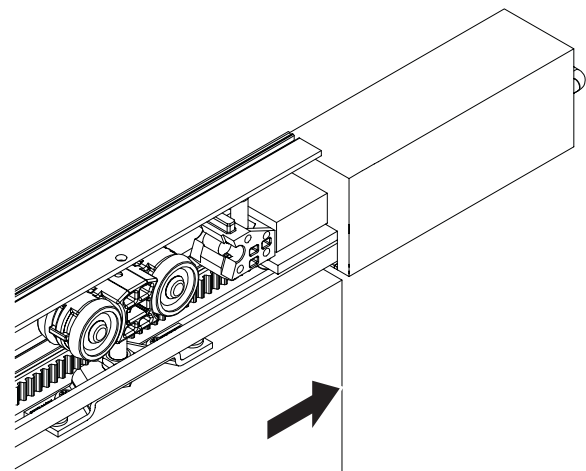


- ▶ Slide the door leaf 200 mm towards the main closing edge.
- ▶ Tighten the clamping of the buffer (6) slightly with an Allen key.
- ▶ Clamp the buffer (6) with 5 Nm.

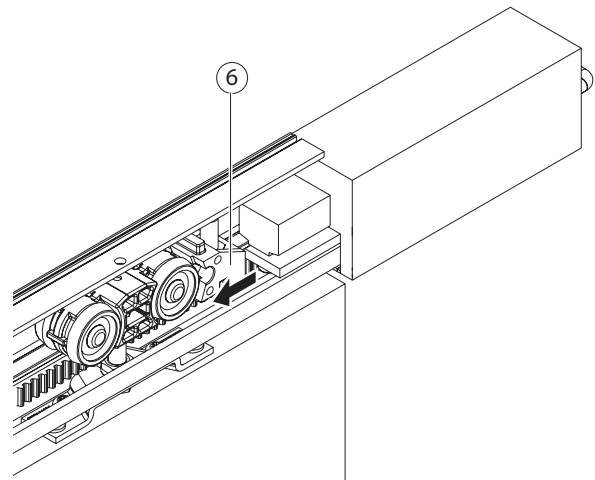


8.5.3 Positioning the door leaf for a 2-leaf system to the side closing edge right

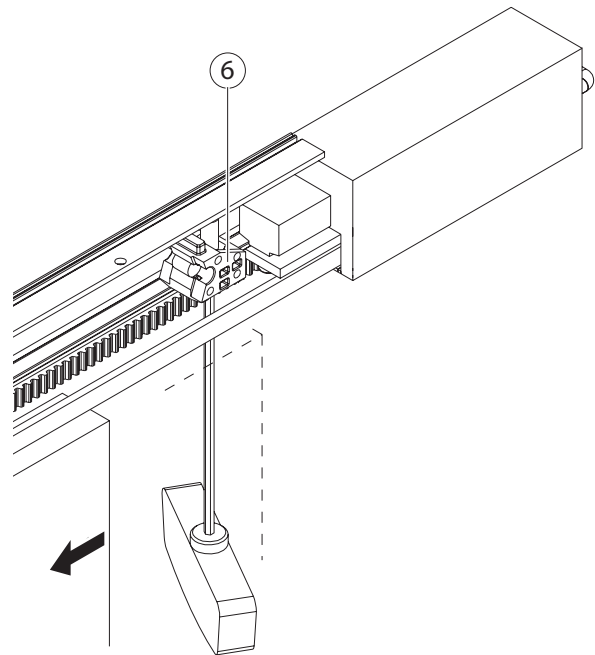
- ▶ Slide the door leaf to the desired position.



- ▶ Slide the buffer (6) to the door leaf or the roller carriage.



- ▶ Slide the door leaf 200 mm towards the side closing edge.
- ▶ Tighten the clamping of the buffer (6) slightly with an Allen key.
- ▶ Clamp the buffer (6) with 5 Nm.



8.6 Mounting the floor guide



Information on mounting the floor guide:

- 1-leaf wooden door: Drawing 10421-EP-53
- 2-leaf wooden door: Drawing 10421-EP-55

- ▶ Mount the floor guide in accordance with the mounting instructions 10421-6-993.

8.7 Mounting the toothed belt

8.7.1 Mounting the toothed belt for a 1-leaf system

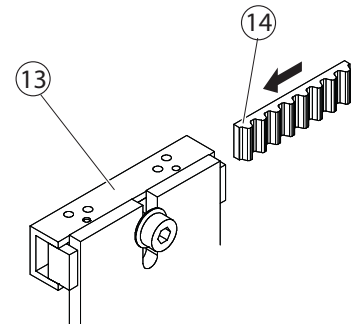
Fasten the toothed belt beginning with the toothed belt lock



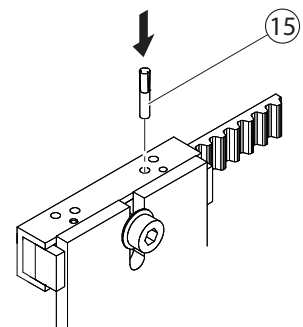
Information on mounting the toothed belt lock:

- Wooden leaf: Mounting slip 10421-9-0931
- 1-leaf wooden leaf: Drawing 10421-EP-53
- 2-leaf wooden leaf: Drawing 10421-EP-55

- ▶ Thread the toothed belt (14) into the toothed belt lock with the smooth side facing outwards.

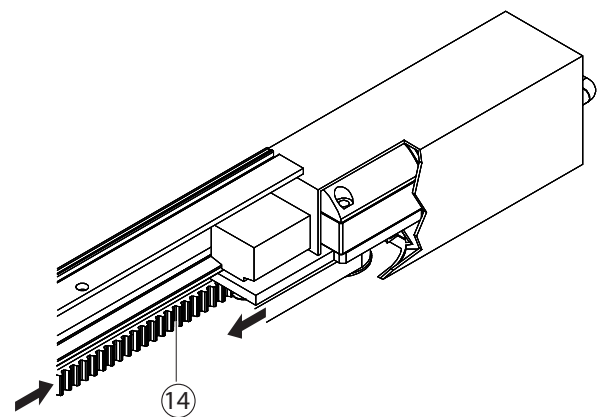


- ▶ Knock in the locking pin (15).

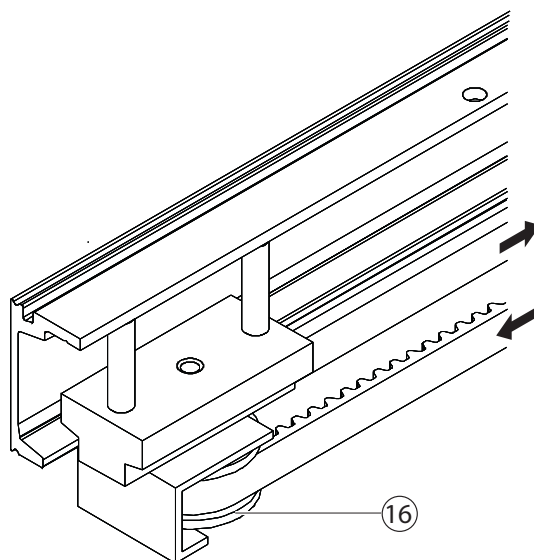


Thread in the toothed belt

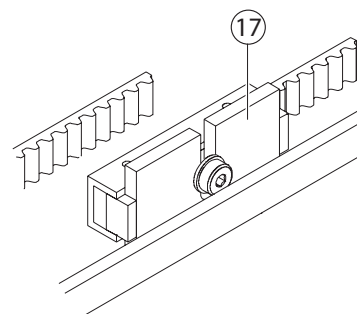
- ▶ Thread the toothed belt (14) into the motor with the smooth side facing outwards.



- ▶ Lay the toothed belt around the guide roller (16).

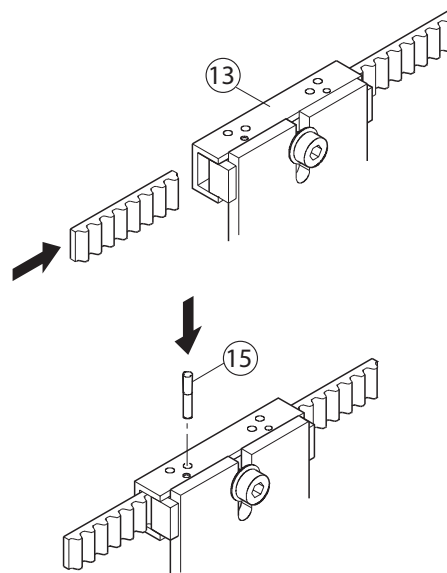


- ▶ Lay the two ends of the toothed belt together at the carrier plate (17).



Connecting the toothed belt with the toothed belt lock

- ▶ Adapt the length of one toothed belt end and fasten it as tight as possible with the toothed belt lock (13) belonging to the carrier plate.
- ▶ Knock in the locking pin (15).



8.7.2 Mounting the toothed belt for a 2-leaf system

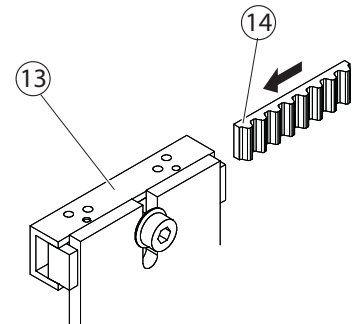
Cutting the toothed belt to length



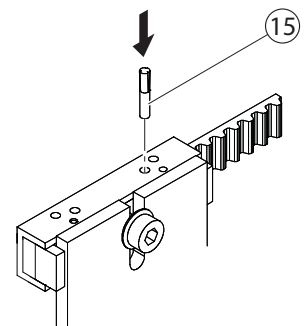
Information on mounting the toothed belt lock:

- Wooden leaf: Mounting slip 10421-9-0931
- 1-leaf wooden leaf: Drawing 10421-EP-53
- 2-leaf wooden leaf: Drawing 10421-EP-55

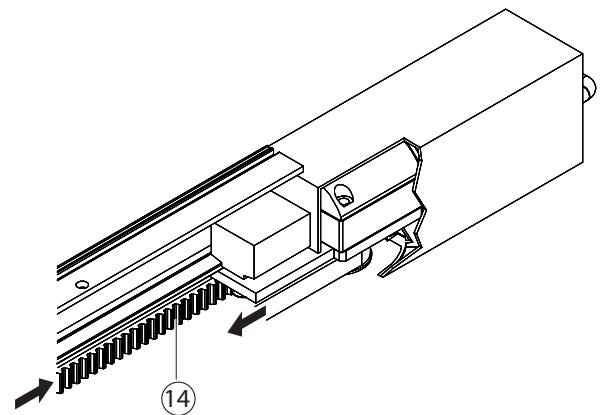
- ▶ Thread the toothed belt (14) into the toothed belt lock with the smooth side facing outwards.



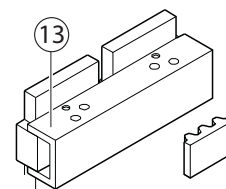
- ▶ Knock in the locking pin (15).



- ▶ Thread the toothed belt (14) into the motor with the smooth side facing outwards.

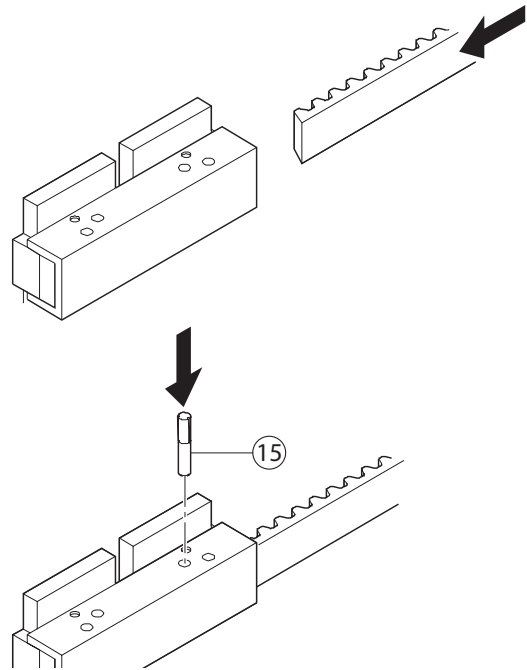


- ▶ Adapt the length of one toothed belt end and fasten it as tight as possible with the toothed belt lock (13) belonging to the carrier plate.

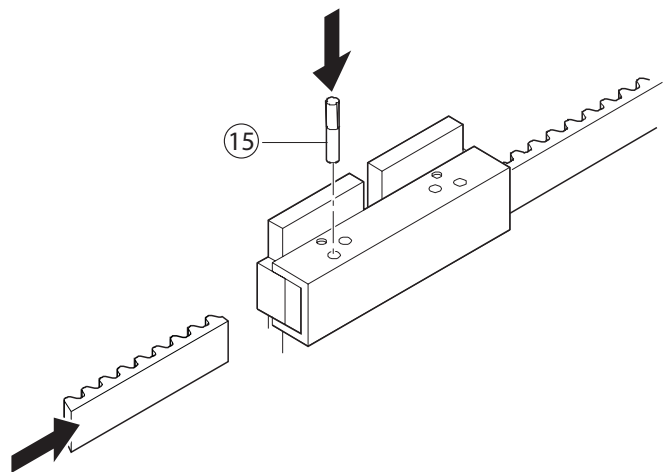


Connecting the toothed belt with the toothed belt lock

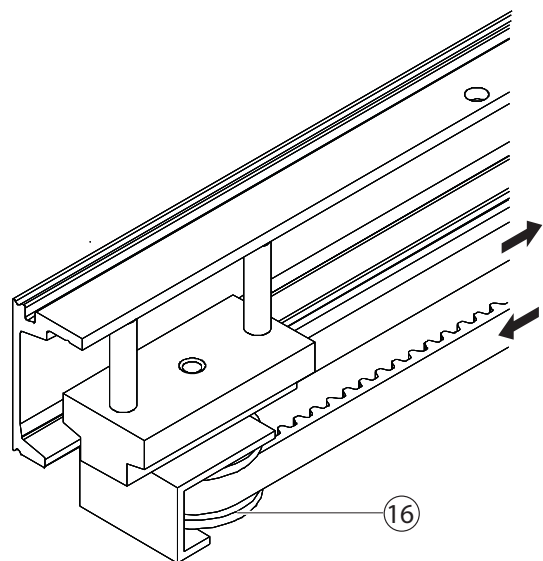
- ▶ Thread the second end of the toothed belt into the second toothed belt lock with the smooth side facing outwards.
- ▶ Knock in the locking pin (15).



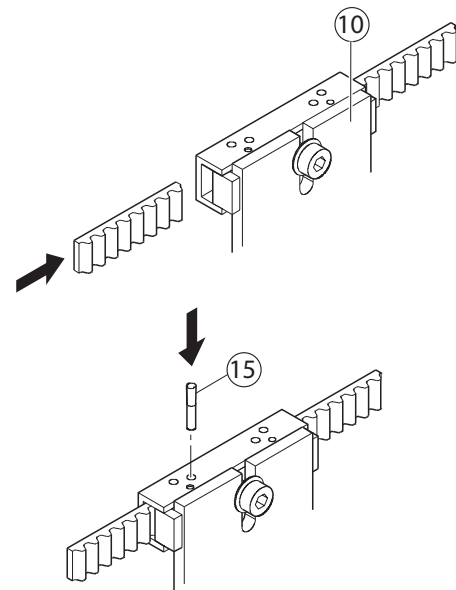
- ▶ Thread the toothed belt into the second toothed belt lock with the smooth side facing outwards.
- ▶ Knock in the locking pin (15).



- ▶ Lay the toothed belt around the guide roller (16).



- ▶ Lay together the second end at the carrier bracket (10).
- ▶ Adapt the length of one toothed belt end and fasten it as tight as possible with the toothed belt lock belonging to the carrier bracket.
- ▶ Knock in the locking pin (15).



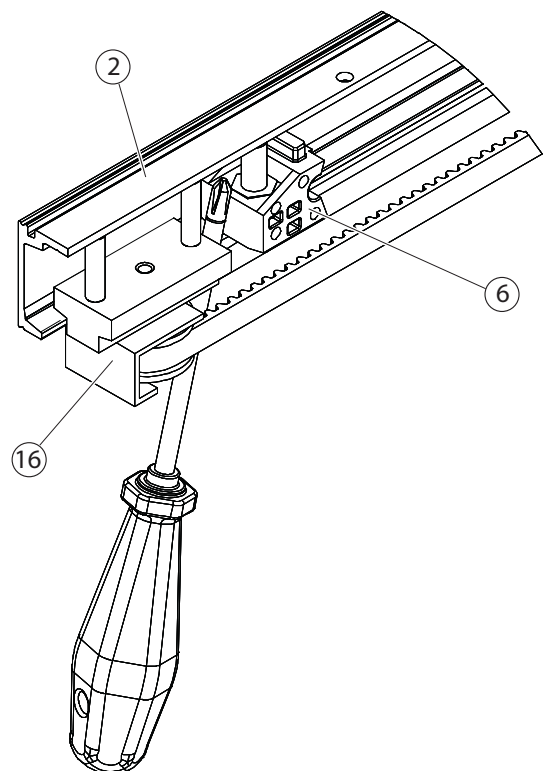
8.7.3 Tensioning the toothed belt



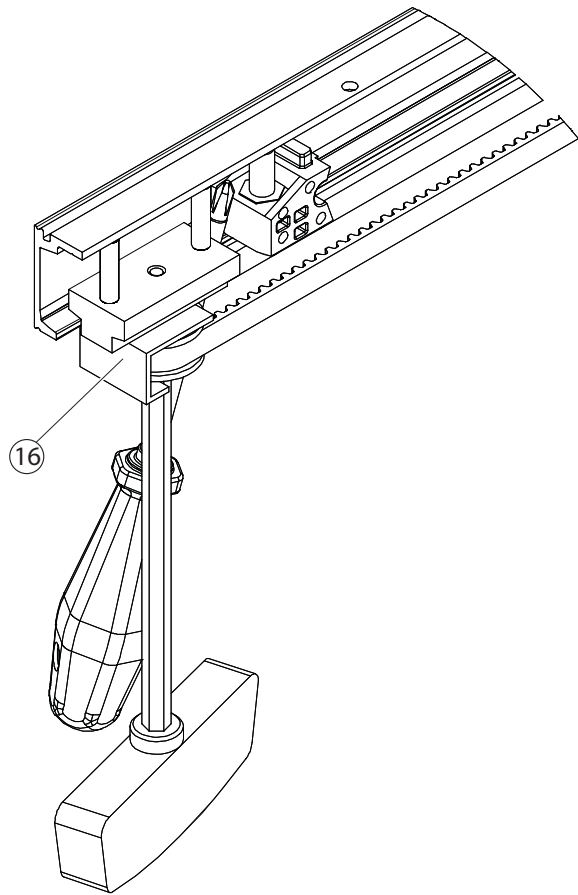
Information for a toothed belt that is too long:

- Open the toothed belt lock, shorten the toothed belt, close the toothed belt lock.
- ▶ Ensure that the toothed belt is tensioned and does not have any slack.

- ▶ Use a screwdriver between the guide roller (16) and buffer (6) to press the guide roller (16) in the track (2) slightly outwards.



- ▶ Tighten the screw in the guide roller (16) with 5 Nm.



9 EC-Declaration of Conformity



EG-Konformitätserklärung EC-Declaration of Conformity CE-Déclaration de conformité

Hersteller:
(Manufacturer, Fabricant)

GEZE GmbH
Reinhold-Vöster-Str. 21 – 29
D-71229 Leonberg

Produktbezeichnung:
(Product identifier,
Désignation du produit)

Linearschiebetür mit Low-Energy-Antrieb
(sliding door drive,
Entrainement de porte coulissante)

GEZE Perlan AUT-NT

Erklärung (Declaration, Déclaration):

Der genannte Antrieb ist in alleiniger Verantwortung des o.g. Herstellers entwickelt, konstruiert und gefertigt in Übereinstimmung mit folgendenden Richtlinien und Normen.

The above drive is under the sole responsibility of the above manufacturer developed, designed and manufactured in accordance with the following directives and standards.

Le produit mentionnés sont développés, construits es fabriqués en propre responsabilité du fabricant susnommé en respectant suivantes.

EU-Richtlinien (EU-Directives, Directives UE):

- EMV-Richtlinie 2004/108/EG
(EMV Directive, Directive CEM)
- Niederspannungsrichtlinie 2006/95/EG
(Low Voltage Directive, Directive relative à la basse tension).

Europäische Normen (European Standards, normes européennes):

- | | |
|------------------|------------------|
| • EN 60335-1 | • EN 61000-6-3 |
| • EN 60335-2-103 | • EN ISO 13849-1 |
| • EN 61000-6-2 | • EN ISO 13849-2 |

Nationale Normen (national Standards, normes nationale):

- DIN 18650-1/-/2

Hermann Alber
Geschäftsführer

Leonberg, den 07. Januar 2011

Germany

GEZE Sonderkonstruktionen GmbH
Planken 1
97944 Boxberg-Schweigern
Tel. +49 (0) 7930-9294-0
Fax +49 (0) 7930-9294-10
E-Mail: sk.de@geze.com

Germany

GEZE GmbH
Niederlassung Nord/Ost
Bühningstraße 8
13086 Berlin (Weissensee)
Tel. +49 (0) 30-47 89 90-0
Fax +49 (0) 30-47 89 90-17
E-Mail: berlin.de@geze.com

Germany

GEZE GmbH
Niederlassung West
Nordsternstraße 65
45329 Essen
Tel. +49 (0) 201-83082-0
Fax +49 (0) 201-83082-20
E-Mail: essen.de@geze.com

Germany

GEZE GmbH
Niederlassung Mitte
Adenauerallee 2
61440 Oberursel (b. Frankfurt)
Tel. +49 (0) 6171-63610-0
Fax +49 (0) 6171-63610-1
E-Mail: frankfurt.de@geze.com

Germany

GEZE GmbH
Niederlassung Süd
Reinhold-Vöster-Straße 21-29
71229 Leonberg
Tel. +49 (0) 7152-203-594
Fax +49 (0) 7152-203-438
E-Mail: leonberg.de@geze.com

Germany

GEZE Service GmbH
Reinhold-Vöster-Straße 25
71229 Leonberg
Tel. +49 (0) 7152-9233-0
Fax +49 (0) 7152-9233-60
E-Mail: service-info.de@geze.com

Germany

GEZE Service GmbH
Niederlassung Berlin
Bühningstraße 8
13086 Berlin (Weissensee)
Tel. +49 (0) 30-470217-30
Fax +49 (0) 30-470217-33
E-Mail: service-info.de@geze.com

Austria

GEZE Austria GmbH
Wiener Bundesstrasse 85
5300 Hallwang b. Salzburg
Tel. +43-(0)662-663142
Fax +43-(0)662-663142-15
E-Mail: austria.at@geze.com

Baltic States

GEZE GmbH Baltic States office
Dzelzavas iela 120 S
1021 Riga
Tel. +371 (0) 67 89 60 35
Fax +371 (0) 67 89 60 36
E-Mail: office-latvia@geze.com

GEZE GmbH

P.O.Box 1363
Reinhold-Vöster-Straße 21-29
71229 Leonberg
Germany

Benelux

GEZE Benelux B.V.
Leemkuil 1
Industrieterrein Kapelbeemd
5626 EA Eindhoven
Tel. +31-(0)40-26290-80
Fax +31-(0)40-26 290-85
E-Mail: benelux.nl@geze.com

Bulgaria

GEZE Bulgaria - Trade
Representative Office
61 Pirinski Prohod, entrance „B“,
4th floor, office 5,
1680 Sofia
Tel. +359 (0) 24 70 43 73
Fax +359 (0) 24 70 62 62
E-Mail: office-bulgaria@geze.com

China

GEZE Industries (Tianjin) Co., Ltd.
Shuangchunzhong Road
Beichen Economic Development
Area (BEDA)
Tianjin 300400, P.R. China
Tel. +86(0)22-26973995-0
Fax +86(0)22-26972702
E-Mail: Sales-info@geze.com.cn

China

GEZE Industries (Tianjin) Co., Ltd.
Branch Office Shanghai
Unit 25N, Cross Region Plaza
No. 899, Ling Ling Road,
XuHui District
200030 Shanghai, P.R. China
Tel. +86 (0)21-523 40 960
Fax +86 (0)21-644 72 007
E-Mail: chinasales@geze.com.cn

China

GEZE Industries (Tianjin) Co., Ltd.
Branch Office Guangzhou
Room 17C3
Everbright Bank Building, No.689
Tian He Bei Road
510630 Guangzhou, P.R. China
Tel. +86(0)20-38731842
Fax +86(0)20-38731834
E-Mail: chinasales@geze.com.cn

China

GEZE Industries (Tianjin) Co., Ltd.
Branch Office Beijing
Room 1001, Tower D
Sanlitun SOHO
No. 8, Gongti North Road,
Chaoyang District,
100027 Beijing, P.R.China
Tel. +86-(0)10-5935 9300
Fax +86-(0)10-5935 9322
E-Mail: chinasales@geze.com.cn

China

GEZE Industries (Tianjin) Co., Ltd.
Branch Office Singapore
21, Bukit Batok Crescent,
Singapore 658065
Tel. +65-6846 1338
Fax +65-6846 9353
E-Mail: gezessea@geze.com.sg

France

GEZE France S.A.R.L.
ZAC de l'Orme Rond
RN 19
77170 Servon
Tel. +33-(0)1-606260-70
Fax +33-(0)1-606260-71
E-Mail: france.fr@geze.com

Hungary

GEZE Hungary Kft.
Bartók Béla út 105-113.
Budapest
H-1115
Tel. +36 (1) 481 4670
Fax +36 (1) 481 4671
E-Mail: office-hungary@geze.com

Iberia

GEZE Iberia S.R.L.
Pol. Ind. El Pla
C/Comerc, 2-22, Nave 12
08980 Sant Feliu de Llobregat
(Barcelona)
Tel. +34(0)9-02194036
Fax +34(0)9-02194035
E-Mail: info@geze.es

India

GEZE India Private Ltd.
MF2 & 3, Guindy Industrial Estate
Ekkattuthangal
Chennai - 600 097
Tamilnadu
Tel. +91 (0) 44 30 61 69 00
Fax +91 (0) 44 30 61 69 01
E-Mail: office-india@geze.com

Italy

GEZE Italia Srl
Via Giotto, 4
20040 Cambiagio (MI)
Tel. +3902950695-11
Fax +3902950695-33
E-Mail: italia.it@geze.com

Italy

GEZE Engineering Roma Srl
Via Lucrezia Romana, 91
00178 Roma
Tel. +3906-7265311
Fax +3906-72653136
E-Mail: roma@geze.biz

Kazakhstan

GEZE Central Asia
050061, Almaty, Kasakhstan
Rayimbek ave. 348, A, office 310
Tel. +7 (0) 72 72 44 78 03
Fax +7 (0) 72 72 44 78 03
E-Mail: office-kazakhstan@geze.com

Poland

GEZE Polska Sp.z o.o.
ul. Annopol 21
03-236 Warszawa
Tel. +48 (0)22 440 4 440
Fax +48 (0)22 440 4 400
E-Mail: geze.pl@geze.com

Romania

GEZE Romania S.R.L.
IRIDE Business Park
Building nr. 10, level 2
Str. Dimitrie Pompei nr. 9-9a
RO-020335 Bucharest, sector 2
Tel. +40 (0) 316 201 257
Fax +40 (0) 316 201 258
E-Mail: office-romania@geze.com

Russian Federation

GEZE GmbH Representative
Office Russia
Kolodessnij pereulok3, str. 25
Office Nr. 5201-5203
107076 Moskau
Tel. +7 (0) 49 55 89 90 52
Fax +7 (0) 49 55 89 90 51
E-Mail: office-russia@geze.com

Scandinavia

GEZE Scandinavia AB
Mallslingan 10
Box 7060
18711 Täby, Sweden
Tel. +46(0)8-7323-400
Fax +46(0)8-7323-499
E-Mail: sverige.se@geze.com

Scandinavia

GEZE Norway
Industriveien 34 B
2072 Dal
Tel. +47(0)639-57200
Fax +47(0)639-57173
E-Mail: norge.se@geze.com

Scandinavia

GEZE Finland
Postbox 20
15871 Hollola
Tel. +358(0)10-4005100
Fax +358(0)10-4005120
E-Mail: finland.se@geze.com

Scandinavia

GEZE Denmark
Mærkærvej 13 J-K
2630 Taastrup
Tel. +45(0)46-323324
Fax +45(0)46-323326
E-Mail: danmark.se@geze.com

South Africa

DCLSA Distributors (Pty) Ltd.
118 Richards Drive, Midrand,
Halfway House Ext. 111
P.O. Box 7934
Midrand 1685
Tel. +27(0)113158286
Fax +27(0)113158261
E-Mail: info@dclsa.co.za

Switzerland

GEZE Schweiz AG
Bodenackerstrasse 79
4657 Dulliken
Tel. +41-(0)62-2855400
Fax +41-(0)62-2855401
E-Mail: schweiz.ch@geze.com

Turkey

GEZE GmbH Türkiye - İstanbul
İrtibat Bürosu
Ataşehir Bulvarı, Ata 2/3
Plaza Kat: 9 D: 84 Ataşehir
Kadıköy / İstanbul
Tel. +90 (0) 21 64 55 43 15
Fax +90 (0) 21 64 55 82 15
E-Mail: office-turkey@geze.com

Ukraine

Repräsentanz GEZE GmbH Ukraine
ul. Viskoznaya, 17, building 93-B,
office 12
02094 Kiev
Tel. +38 (0) 44 49 97 725
Fax +38 (0) 44 49 97 725
E-Mail: office-ukraine@geze.com

United Arab Emirates/GCC

GEZE Middle East
P.O. Box 17903
Jebel Ali Free Zone
Dubai
Tel. +971(0)4-8833112
Fax +971(0)4-8833240
E-Mail: geze@emirates.net.ae

United Kingdom

GEZE UK Ltd.
Blenheim Way
Fradley Park
Lichfield
Staffordshire WS13 8SY
Tel. +44(0)1543443000
Fax +44(0)1543443001
E-Mail: info.uk@geze.com



Tel.: 0049 7152 203-0
Fax.: 0049 7152 203-310
www.geze.com

141244-00

